

# STRAIGHT SLIDING STERLING 2000

E A C H D O O R W E I G H T M A X 2 0 0 0 k g

## APPLICATION

- ▶ Sterling 2000 gear is designed for high and heavy industrial doors.
- ▶ The bottom roller design is suited to applications where the supporting structure or lintel is insufficient for the weight of the door, or where headroom is limited.
- ▶ The top guide channel may be soffit fixed or face fixed.
- ▶ To cover any width of opening, any number of doors can be used on single or multiple lines of track.
- ▶ To accommodate different building designs, doors can slide to one or both sides.
- ▶ Wicket doors for easy access may be incorporated into a sliding door.
- ▶ Where doors are fitted externally, a canopy is recommended to protect the top guide channel and rollers.

## DOOR SPECIFICATION

For individual doors:

Max Door Height	7500mm
Max Door Weight	2000 kg
Door Thickness	58-70mm
	70 - 100mm
	(contact PCH for made to order rollers)

For ease of operation it is recommended that the door width should be at least 50% of the door height.

Timber doors should be framed, ledged and well braced to avoid bowing. Timber should be carefully selected.

On timber doors, rollers should be positioned clear of the joint between the bottom rail and stiles. Door leaves must be constructed with a deep bottom section of minimum depth 300mm.

Metal doors should be framed and braced using steel angle and clad with sheeting as required. On metal doors, the rollers should be positioned securely in the bottom door frame section by welding or bolting.

The bottom rail must be set level and may be recessed for protection from traffic.

## GEAR SPECIFICATION

<b>Top Guide Channel</b>	13 heavy duty rolled galvanised steel
Standard lengths:	2000mm and 3000mm

### Top Guide Brackets:-

For single track (face fixing)	1/13	pressed steel zinc plated
For double track (face fixing)	5/13	pressed steel zinc plated
For single track (soffit fixing)	2/13	pressed steel zinc plated
Fix at 900mm centres (maximum).		

<b>Top Guide Rollers (2 per door):</b>	53/13	timber industrial applications
	104/13	metal industrial applications

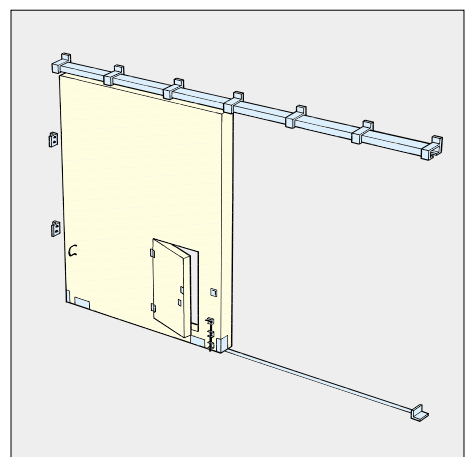
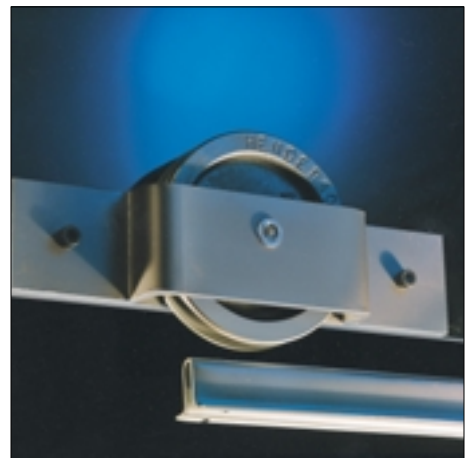
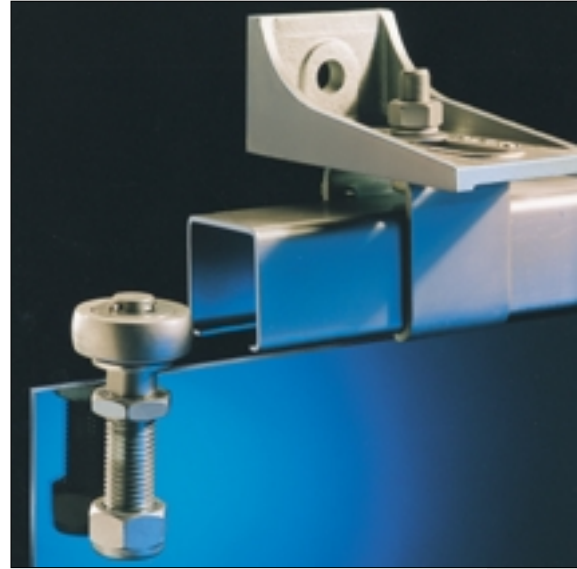
<b>Bottom Rollers (2 per door):</b>	No. 4	for timber doors
	No. 4SJ	for metal doors
	No. 4SJU	for metal doors (bolt on)

Sterling Bottom Roller is zinc plated and has maintenance free sealed for life roller bearing.

<b>Bottom Rail:</b>	298
Standard lengths:	2000mm, 2500mm and 3000mm.

**Accessories:** Bow Handles, Flush Pulls, Bolts, Locks and Stops.

## STRAIGHT SLIDING BOTTOM ROLLER TIMBER OR METAL DOORS & GATES



Standard Application

# STRAIGHT SLIDING STERLING 2000

