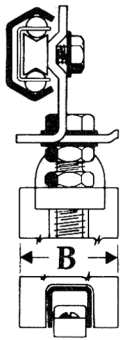
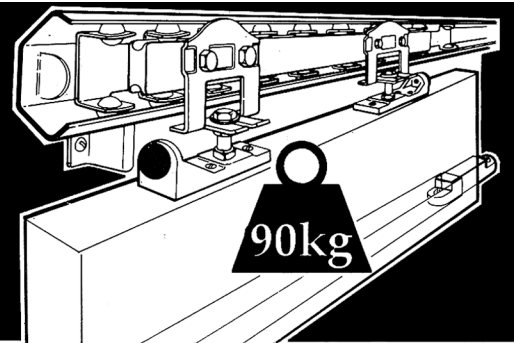


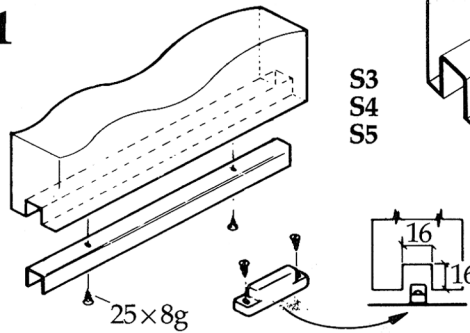
# HENDERSON MARATHON



- S3 A = 750 - 900mm 90kg
- S4 A = 900 - 1050mm 90kg
- S5 A = 1050 - 1200mm 90kg
- S6 A = 1200 - 1500mm 90kg
- S7 A = 1500 - 1800mm 90kg
- S8 A = 1800 - 2000mm 90kg
- S9 A = 2000 - 2500mm 90kg

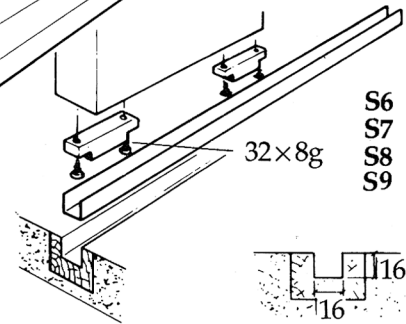
B = 32-50      A

1



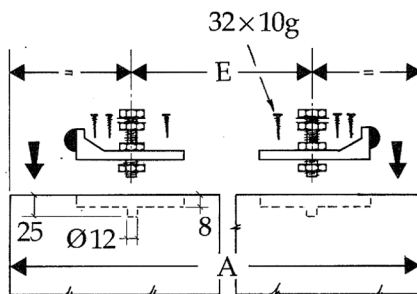
S3  
S4  
S5

S6  
S7  
S8  
S9

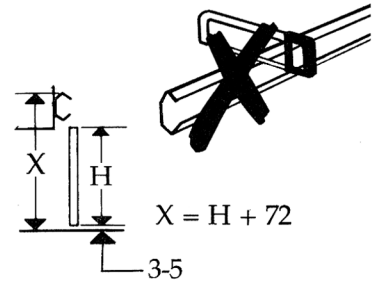
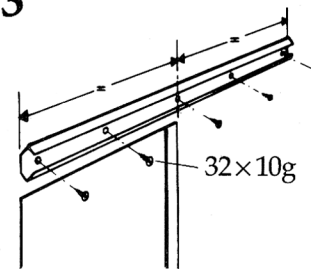


2

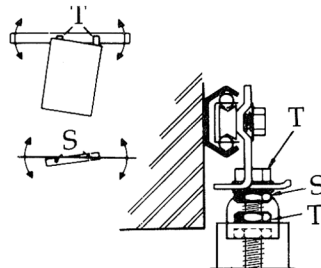
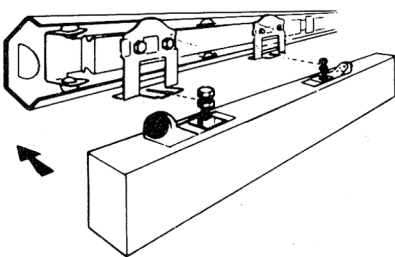
	mm	
	A	E
S3	750 - 900	368
S4	900 - 1050	445
S5	1050 - 1200	546
S6	1200 - 1500	724
S7	1500 - 1800	1003
S8	1800 - 2000	1003
S9	2000 - 2500	1765



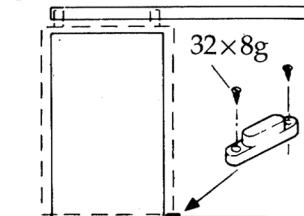
3



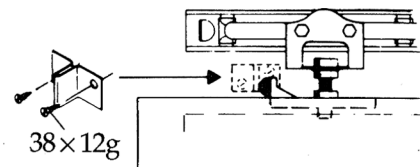
4



5



6



## LUBRICATION INSTRUCTION

USING THE SACHET OF LUBRICANT SUPPLIED, APPLY LUBRICANT TO MARATHON ASSEMBLY BETWEEN TRACK AND BALLS

**RE-LUBRICATION** THE TRACK SHOULD BE RE-LUBRICATED AT REGULAR INTERVALS DEPENDING ON USE.

## LUBRICANT INFORMATION

LUBRICANT - ANTI-SEIZE COMPOUND (POLYBUTYL CUPRYSIL)

CHEMICAL FAMILY - MINERAL OIL BASE

HEALTH EFFECTS - EYES: IRRITATION CAN OCCUR.

SKIN: IRRITATION CAN OCCUR.

INGESTION: PRODUCES GASTRO-INTESTINAL DISTURBANCES.

FIRST AID - EYES: WASH WITH WATER AND CONSULT MEDICAL PRACTITIONER.

SKIN: WASH WITH WARM WATER + SOAP.

INGESTION: CALL MEDICAL PRACTITIONER IMMEDIATELY.

INHALATION: BRING SUBJECT INTO FRESH AIR (CONSULT A MEDICAL PRACTITIONER)