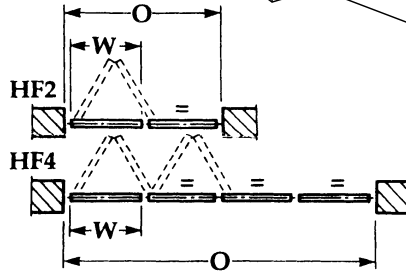
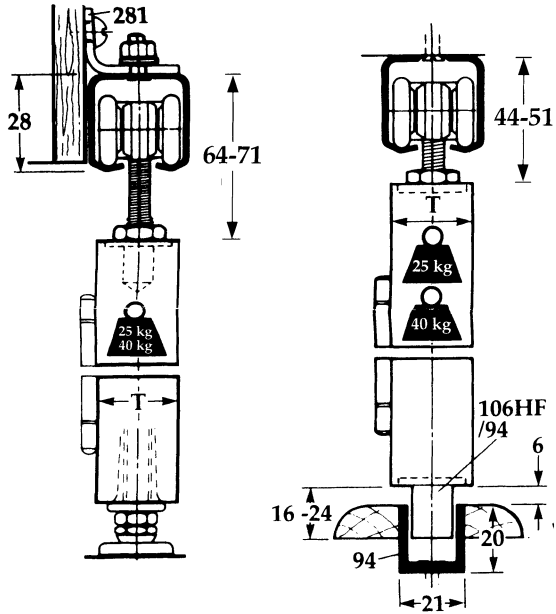
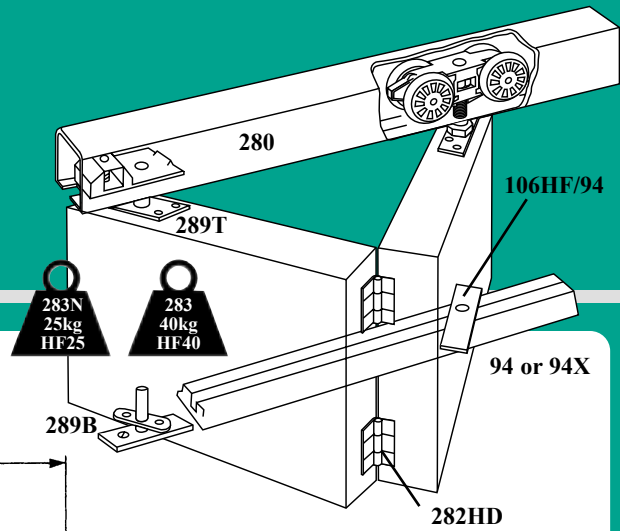


# HENDERSON HUSKY FOLDING

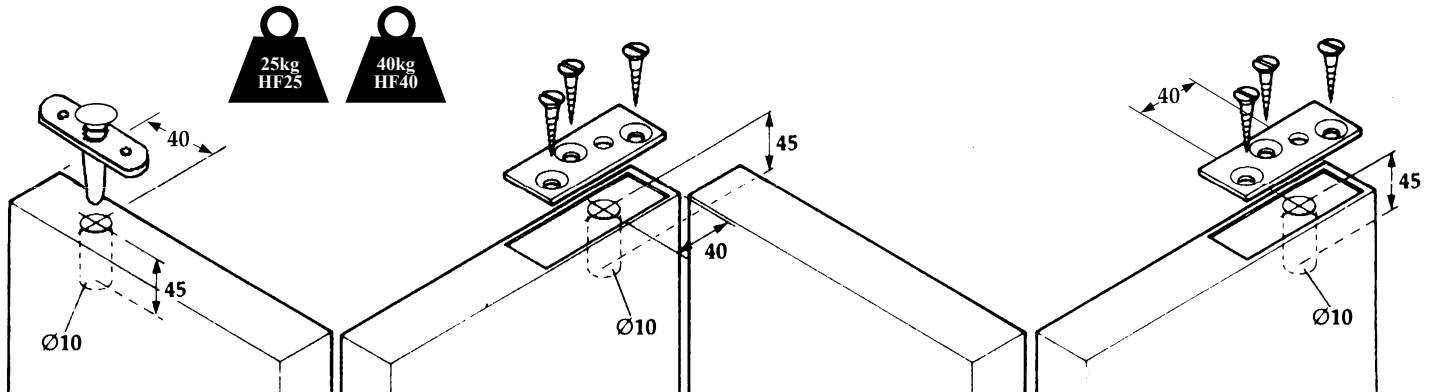
25KG or 40KG

THE FOLDING WARDROBE AND ROOM DIVIDERS

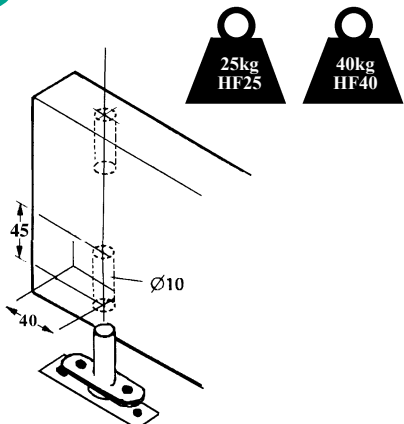


	Max Weight	W	T	O
HF25	25kg	600mm	20-44mm	2400mm
HF40	40kg	750mm	20-44mm	3000mm

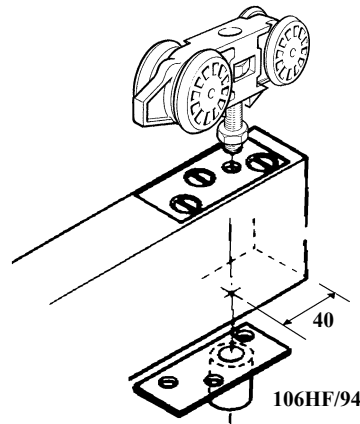
## 1 POSITION AND SECURE PIVOT AND HANGER APRON PLATES



## 2 FIT BOTTOM PIVOT ASSEMBLY

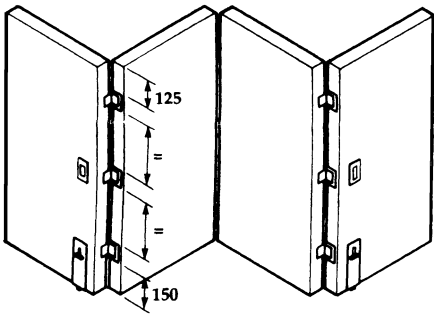


## 3 ATTACH HANGER TO APRON PLATE(S) & BOTTOM GUIDE (IF APPLICABLE)

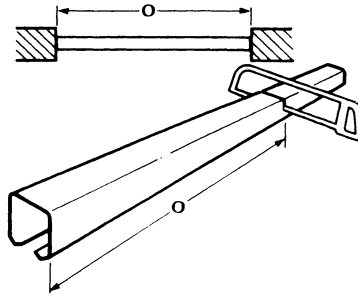


⚠ 106HF/94 -HF25			
W	0 → 449mm		✗
	450 → 600mm		✓
H	0 → 2099mm		✗
	2100 → 2400mm		✓
	0 → 11kg		✗
	15kg → 25kg		✓

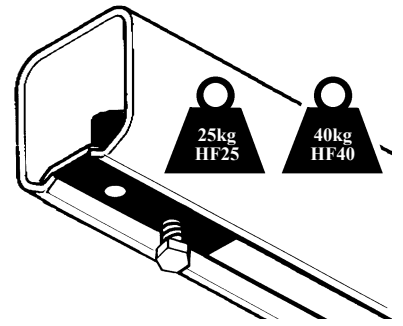
**4 POSITION AND SECURE HINGES**



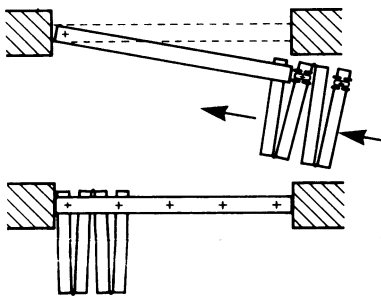
**5 CUT TRACK TO SIZE**



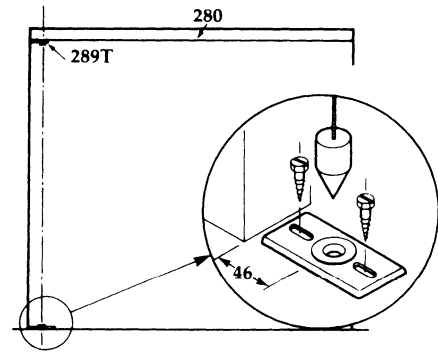
**6 POSITION AND SECURE TOP BEARING PLATE**



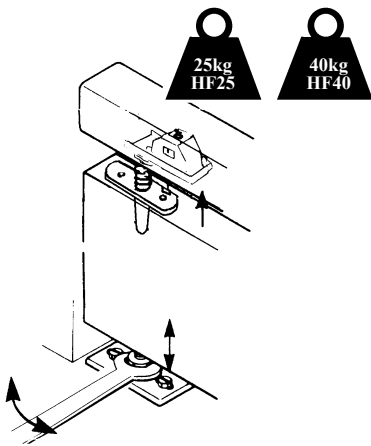
**7 SLIDE DOORS ON TO TRACK**



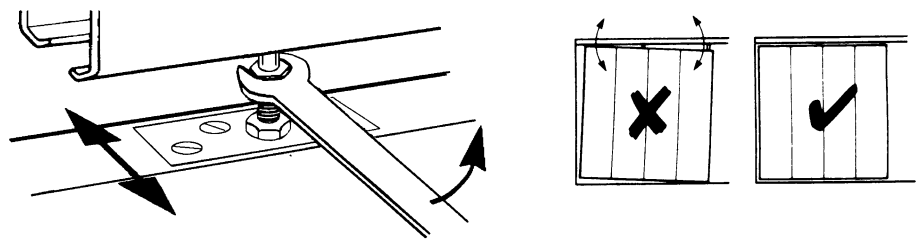
**8 LOCATE AND SECURE BOTTOM PIVOT PLATE**



**9 ADJUST DOOR HEIGHT**



**10 ALIGN DOORS**



**11 DOOR CONFIGURATION OPTIONS**

