

HUSKY 50

**FOR SLIDING
WOOD DOORS
TO 50KG**

Reliable and highly versatile gear using precision-made components for trouble-free operation.

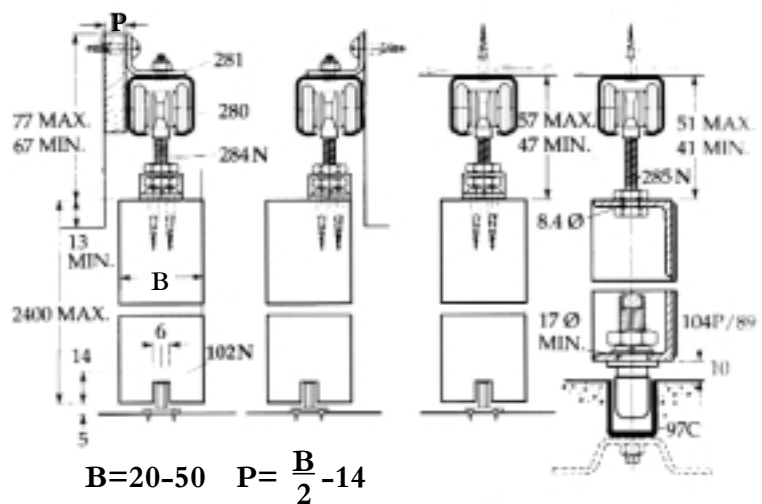
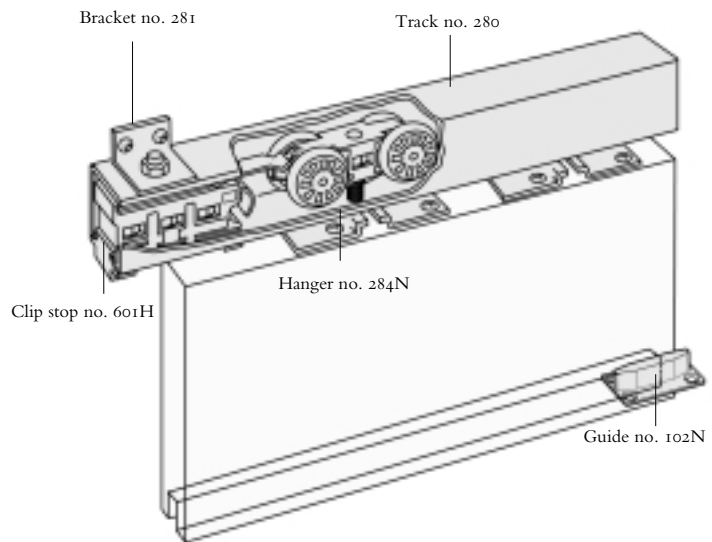
KITS

Husky 50: kits for single wood doors to 50kg max. weight contain: pre-drilled track; face-fixing brackets; 2 nylon bodied, acetal wheel hangers; nylon guide; stops and fixing instructions. Single door fittings only pack H50N also available.

OPTIONAL EXTRAS

Optional extras include: face-fixing brackets packs no. 2815 (5 brackets); no. 2818 (8 brackets); hanger for metal doors no. 285N; roller guide no. 106R/94; aluminium floor channel no. 94X; bow handle no. 863; flushpull no. 414; flushpull no. 400; flushbolt no. 333; lock no. 295; door edge sponge strip no. 537; anti-draught doorseal guide no. DSI (see pp 52-57 for full product description). Bulk component packs are also available.

Max leaf size	Weight	Kit no.
2400 x 800 x 50mm	50kg (wood)	Husky H50/15
2400 x 950 x 50mm	50kg (wood)	Husky H50/18
2400 x 1050 x 50mm	50kg (wood)	Husky H50/20
2400 x 1250 x 50mm	50kg (wood)	Husky H50/24



All dimensions in mm

Aluminium track kits, clip on aluminium fascia's and sliding glass door kits now also available.