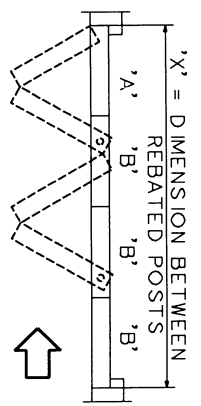
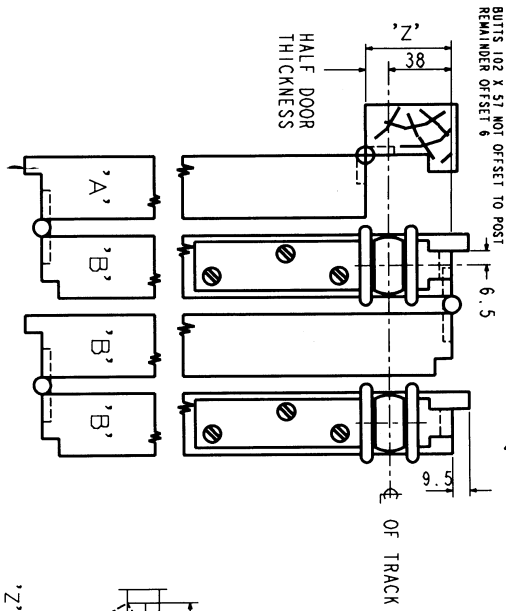


JOINERY INSTRUCTIONS

ENDFOLD PARTITION (COUNCIL) 290

FOUR LEAF UNIT HINGED TO POST

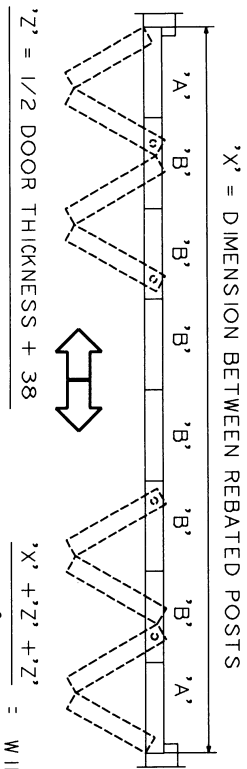


$$\frac{X + Z}{4} = \text{WIDTH OF LEAVES MARKED 'B'}$$

$$\text{LEAF WIDTH 'A' = 'B' - 'Z'}$$

IMPORTANT :-

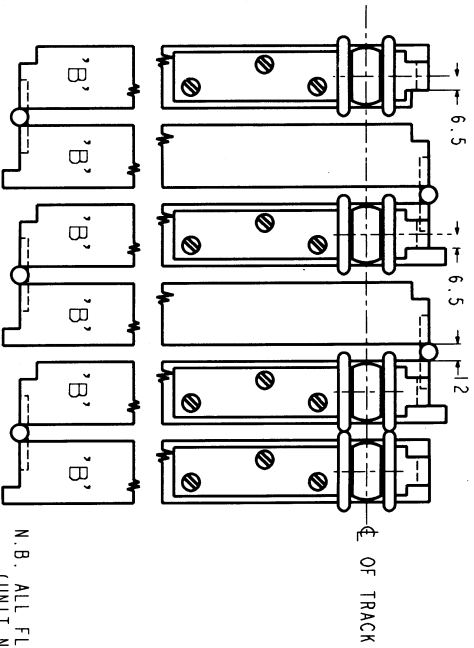
LEAF WIDTHS ARE TO THE
OF HINGE PINTLES,
ESSENTIAL CLEARANCES
TO BE ALLOWED FOR.



$$\frac{X + Z + Z}{8} = \text{WIDTH OF LEAVES MARKED 'B'}$$

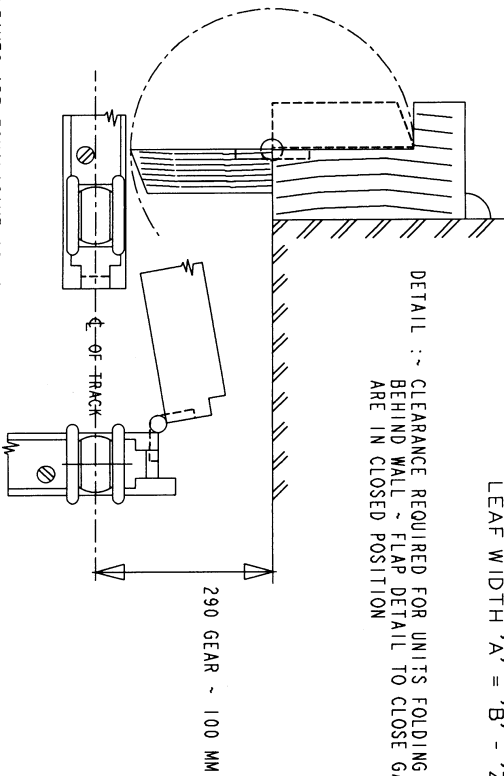
$$\text{LEAF WIDTH 'A' = 'B' - 'Z'}$$

SIX LEAF 'FLOATING' UNIT



N.B. ALL FLOATING LEAVES ARE EQUAL (SAME AS 'B')
(UNIT NOT HINGED TO POST - MUST BE IN 4 OR 6 LEAVES)

DETAIL :- CLEARANCE REQUIRED FOR UNITS FOLDING OR 'FLOATING'
BEHIND WALL - FLAP DETAIL TO CLOSE GAP WHEN UNITS
ARE IN CLOSED POSITION



HENDERSON