

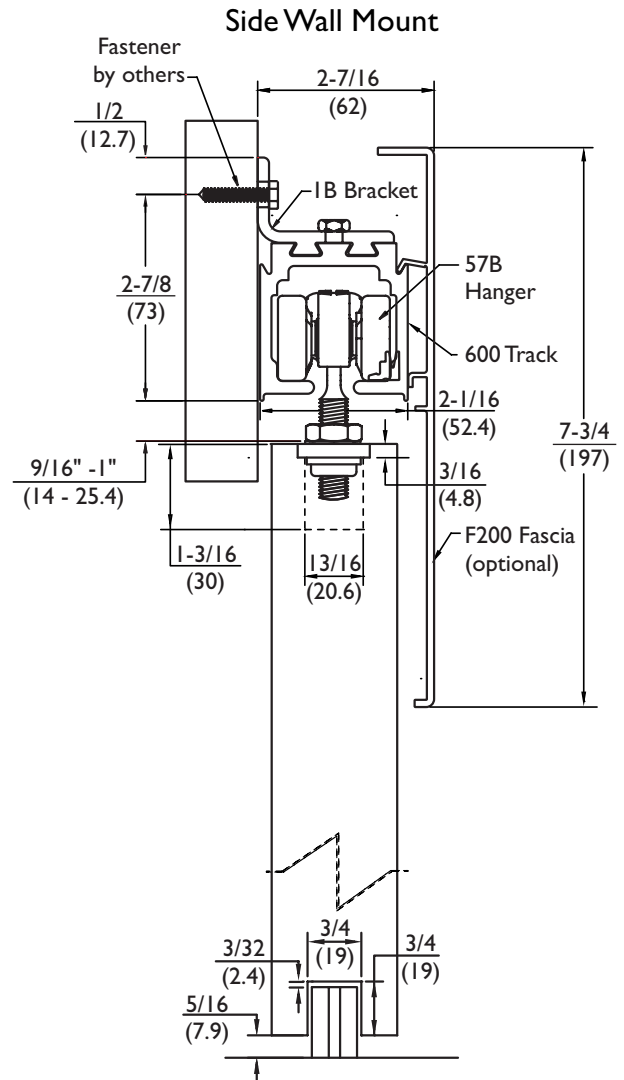
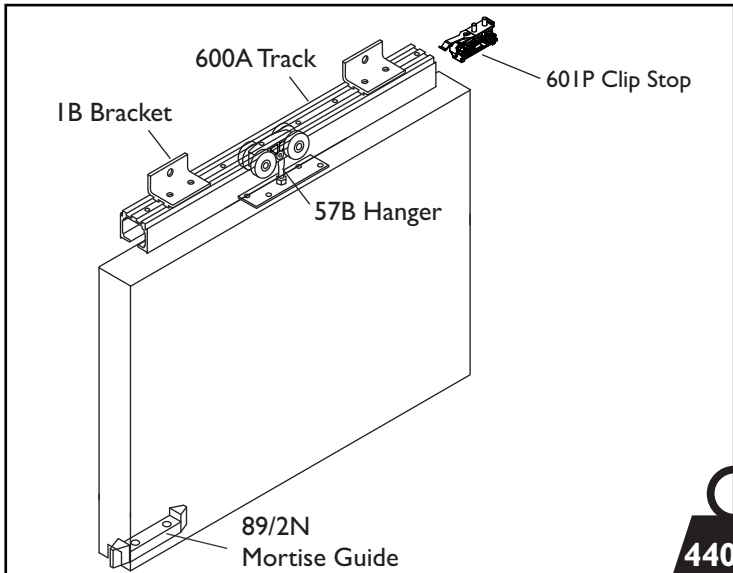
# H440A-SW Series Sliding Door Hardware Installation Instructions

800-824-3018 • www.pemko.com

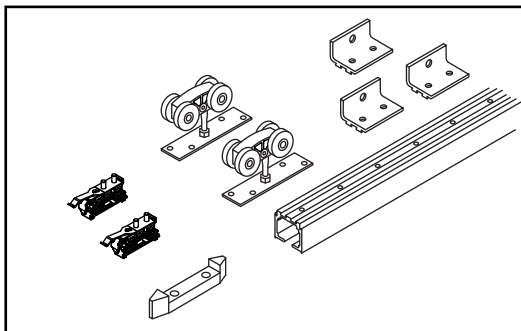
## Door Leaf Capacity - Up to 440 lbs.

Manufactured by

# HENDERSON



Part Number	Material	Track Length	Door Width
H440A-SW/6	Aluminum	72"	36"
H440A-SW/8	Aluminum	96"	48"
H440A-SW/10	Aluminum	120"	60"
H440A-SW/12	Aluminum	144"	72"



### H440A-SW Kits Include:

- 1 ea 600A Mill Finished Aluminum Track
- IB Side Wall Mount Track Brackets (One at each end and no more than three feet in between)
- 2 ea 57B Hangers: Gray Nylon Body, Zinc Coated Steel Pendant Bolt, Steel Ball Bearing Nylon Wheels
- 2 ea 601P Nylon In-Track Clip Stop
- 1 ea 89/2N Gray Nylon Mortise Guide

### IMPORTANT:

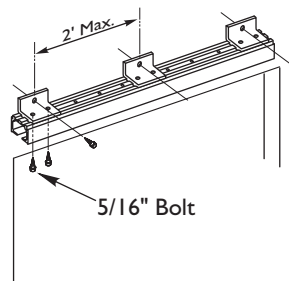
Visually check all bolts and screws; tighten if necessary.  
If access door is installed, check operation.  
Check operation of doors for ease.

- Door catches floor guide: Check that the track is level. Ensure that the track and floor guide are parallel to within +/- 1/8" (3).
- Door scrubs: Check that the door is level on hangers.
- Door moves while in operation: Check hangers are installed correctly.

# INSTALLATION INSTRUCTIONS

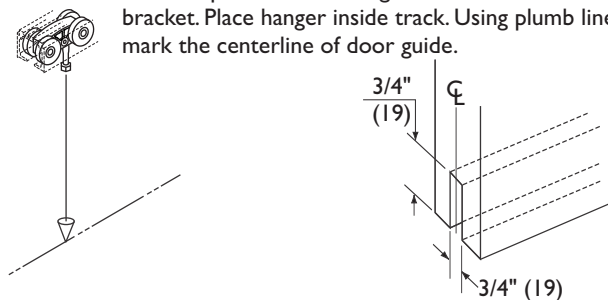
- 1** Secure track at each end. Inward brackets should be 2' (61m) from each end and centered on track.

Ensure track is plumb and level.

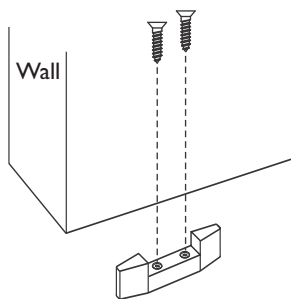


- 2** Mortise door for door guide.

Attach a plumb line to hanger. Remove one end bracket. Place hanger inside track. Using plumb line, mark the centerline of door guide.

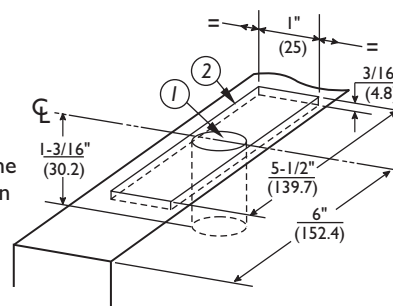


- 3** Fit door guide.



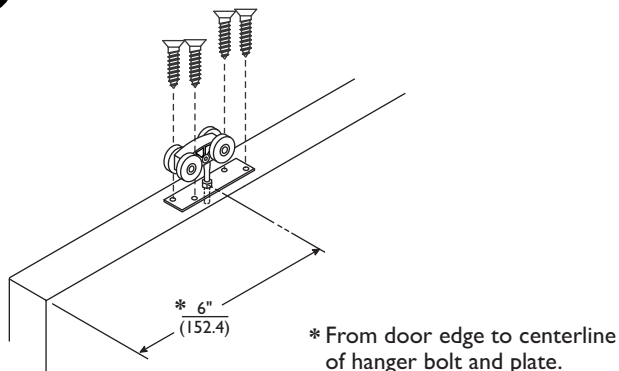
- 4** Prepare top of door for hanger hardware.

- ① Drill 13/16" (20.6) dia. x 1-3/16" (30.2) deep hole 6" (152.4) from door edge to centerline of hole and centered in thickness of door.

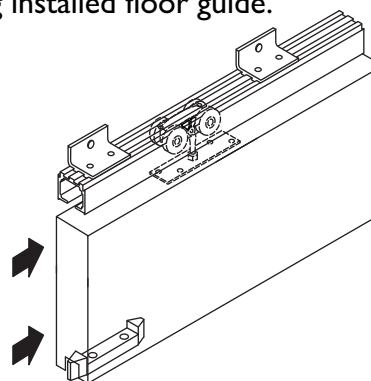


- ② Router door for 1" (25.4) x 5-1/2" (139.7) plate centered on centerline of hole and thickness of door.

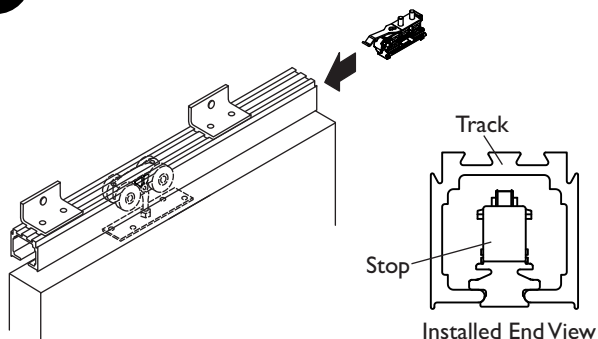
- 5** Attach hangers to doors.



- 6** Slowly guide complete door unit into track using installed floor guide.

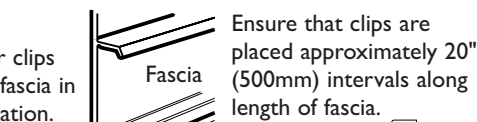


- 7** Position and secure clip stops.



- 8** Optional fascia installation:

- ① Insert polymer clips provided into fascia in correct orientation.



- ② Hook fascia onto track and push firmly into place. Ensure all clips are engaged to track.

