

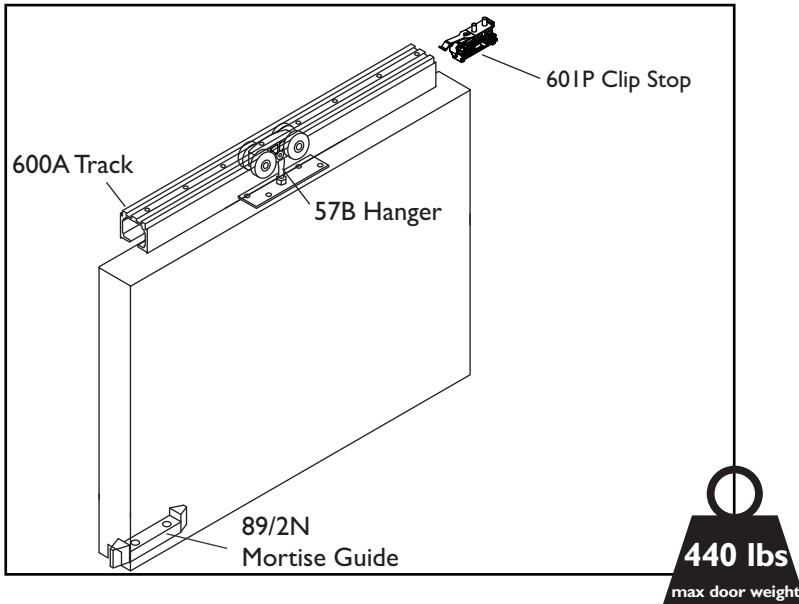
H440A-OH Series Sliding Door Hardware Installation Instructions

800-824-3018 • www.pemko.com

Door Leaf Capacity - Up to 440 lbs.

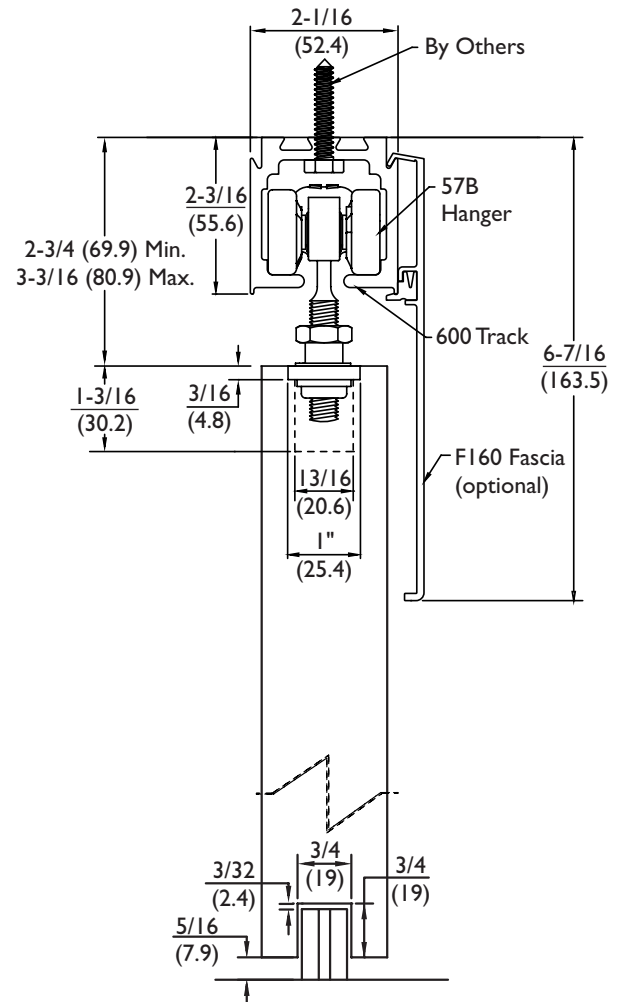
Manufactured by

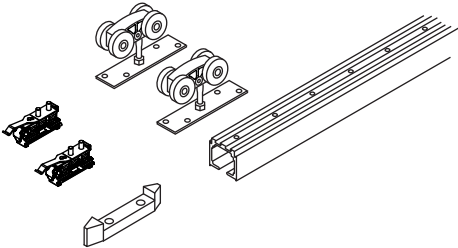
HENDERSON



Part Number	Material	Track Length	Door Width
H440A-OH/6	Aluminum	72"	36"
H440A-OH/8	Aluminum	96"	48"
H440A-OH/10	Aluminum	120"	60"
H440A-OH/12	Aluminum	144"	72"

Overhead Mount





H440A-OH Kits Include:

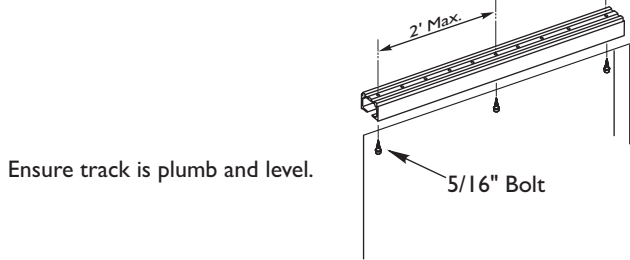
- 1 ea 600A Mill Finished Aluminum Track
- 2 ea 57B Hangers: Gray Nylon Body, Zinc Coated Steel Pendant Bolt, Steel Ball Bearing Nylon Wheels
- 2 ea 601P Nylon In-Track Clip Stop
- 1 ea 89/2N Gray Nylon Mortise Guide

IMPORTANT:
Visually check all bolts and screws; tighten if necessary.
If access door is installed, check operation.
Check operation of doors for ease.

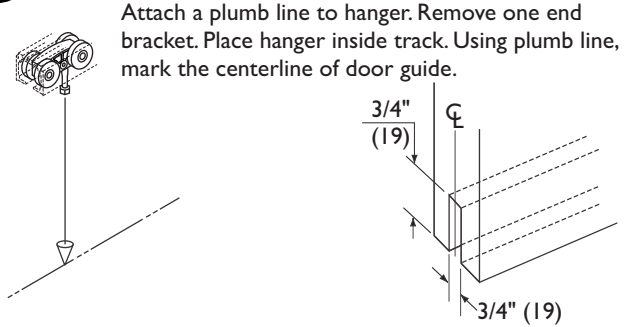
- Door catches floor guide: Check that the track is level. Ensure that the track and floor guide are parallel to within +/- 1/8" (3).
- Door scrubs: Check that the door is level on hangers.
- Door moves while in operation: Check hangers are installed correctly.

INSTALLATION INSTRUCTIONS

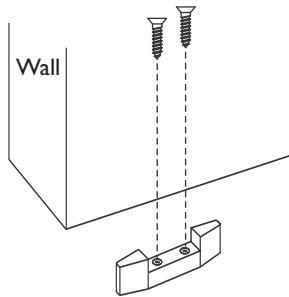
- 1** Secure track at each end. Bolts should be no more than 2' (61m) from each end and centered on track.



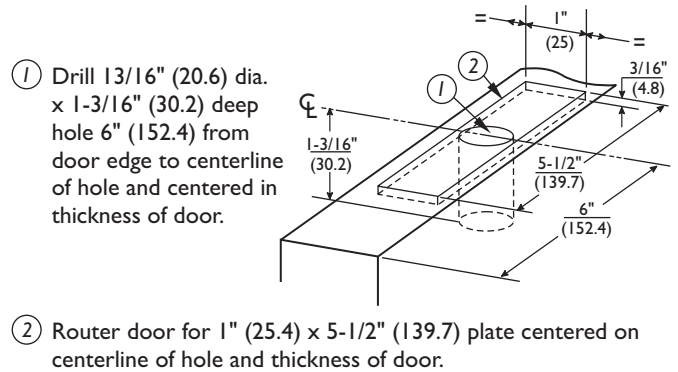
- 2** Mortise door for door guide.



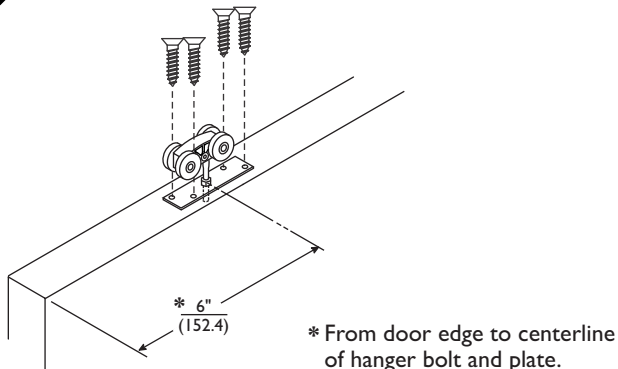
- 3** Fit door guide.



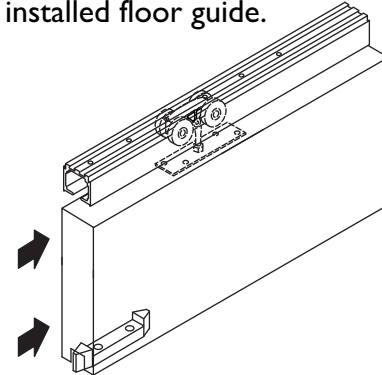
- 4** Prepare top of door for hanger hardware.



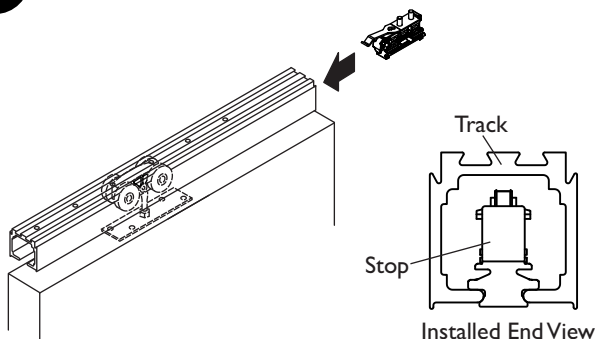
- 5** Attach hangers to doors.



- 6** Slowly guide complete door unit into track using installed floor guide.



- 7** Position and secure clip stops.



- 8** Optional fascia installation:

