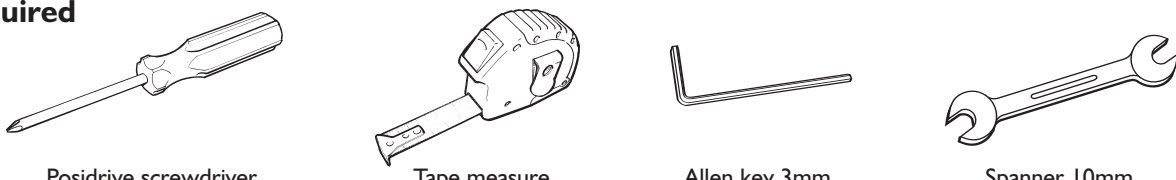


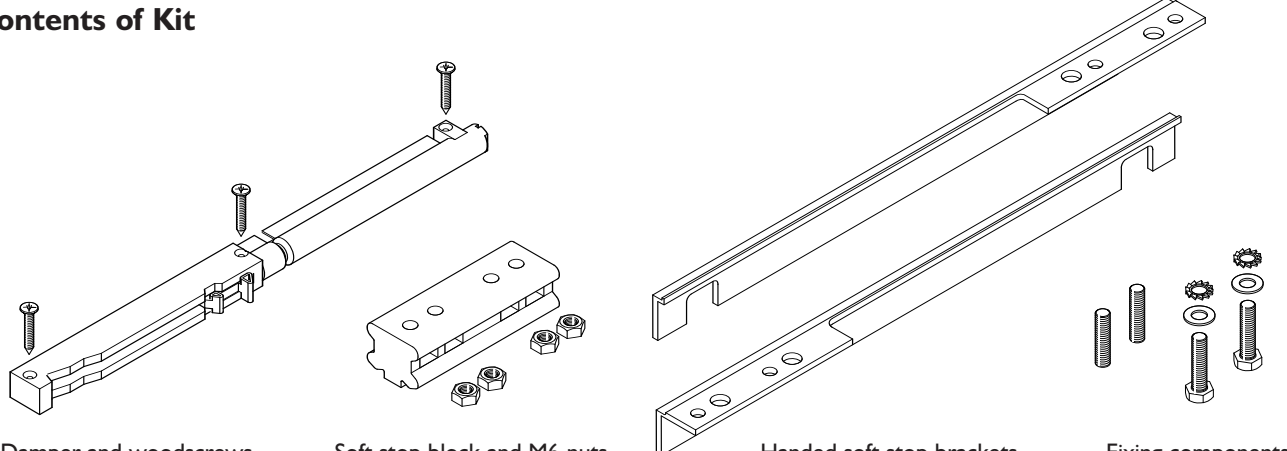
**FITTING INSTRUCTIONS - NOTICE DE POSE - MONTAGE HANDLEIDING - MONTAGEANLEITUNG
ISTRUZIONI DI MONTAGGIO - INSTUCCIONES DE MONTAJE**

Tools Required



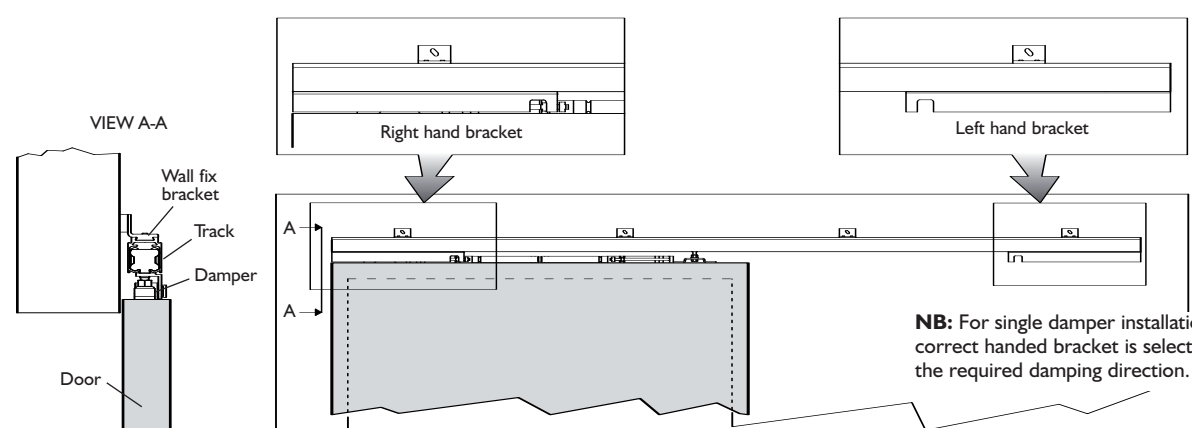
Posidrive screwdriver Tape measure Allen key 3mm Spanner 10mm

Contents of Kit



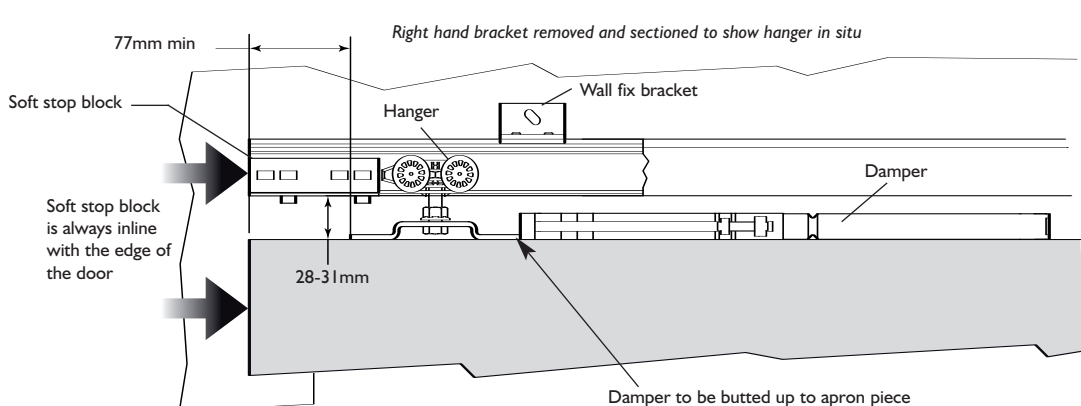
Damper and woodscrews Soft stop block and M6 nuts Handed soft stop brackets Fixing components

Please note position of handed brackets



NB: For single damper installations ensure the correct handed bracket is selected appropriate to the required damping direction.

STANDARD INSTALLATION You should first determine where you want the door to stop in relation to the position in the track

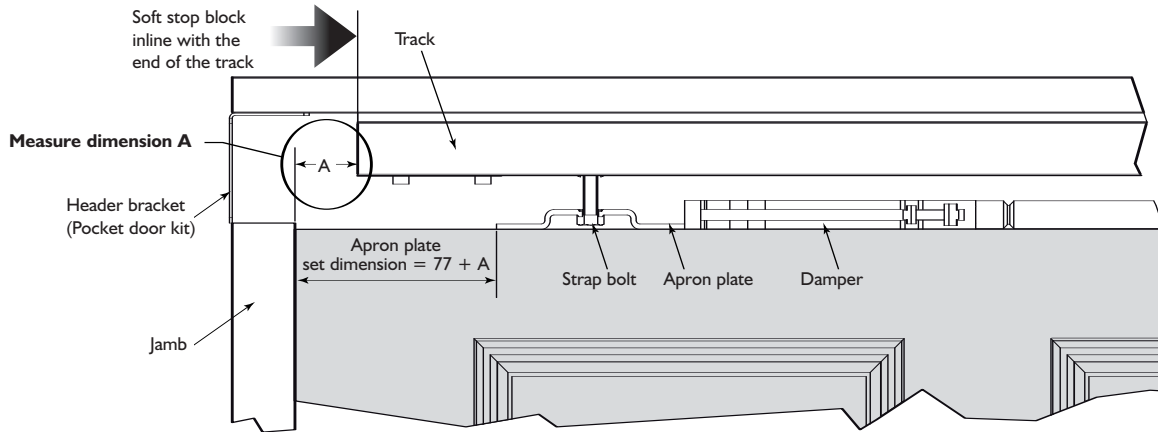


77mm min Right hand bracket removed and sectioned to show hanger in situ Wall fix bracket Damper

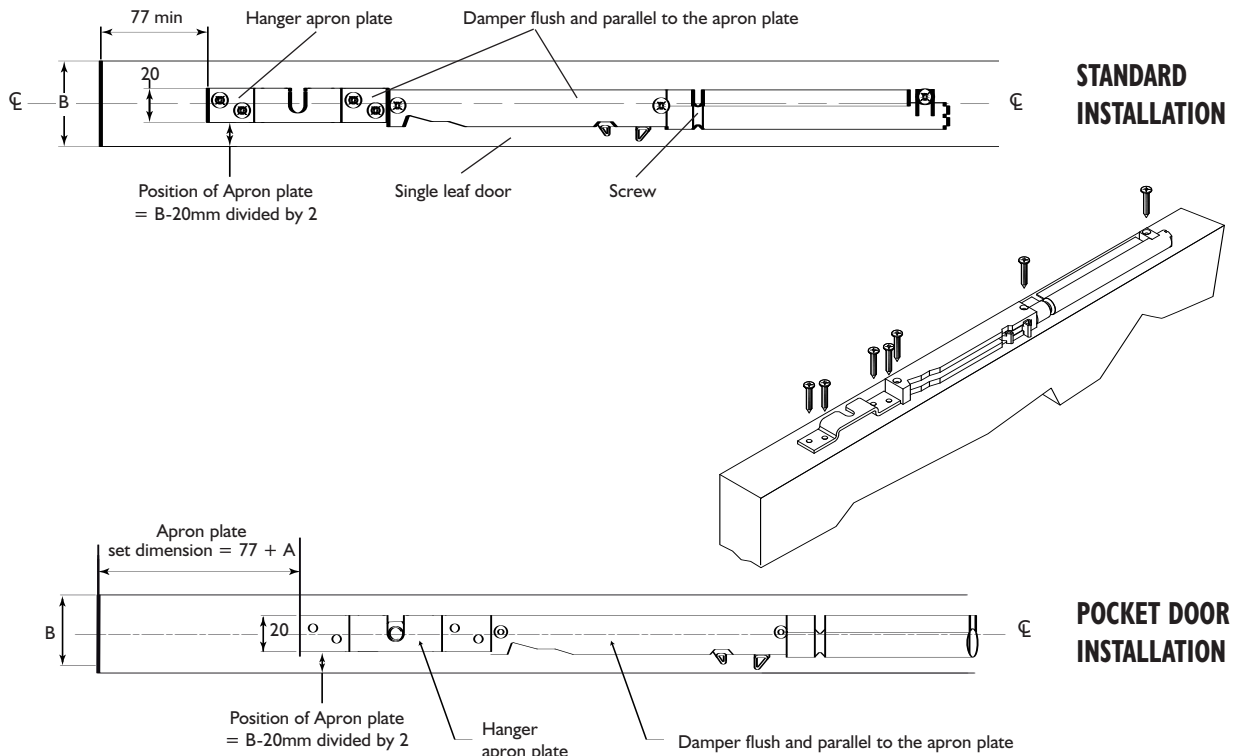
Soft stop block is always inline with the edge of the door

28-31mm Damper to be butted up to apron piece

POCKET DOOR INSTALLATION You should first determine where you want the door to stop in relation to the position in the track

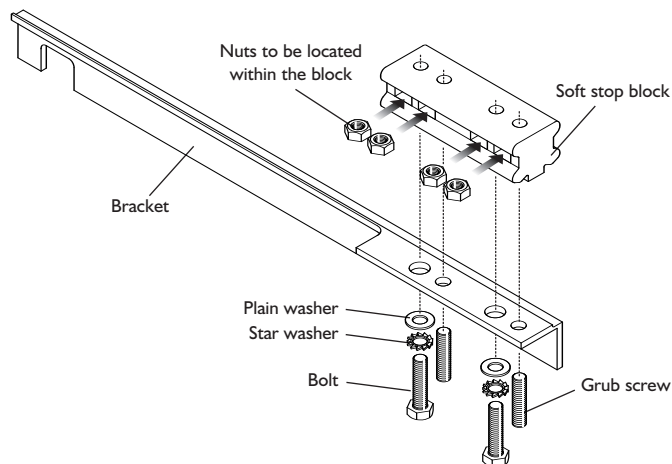


1 With the offset in mind - secure the damper and hanger to the top of the door

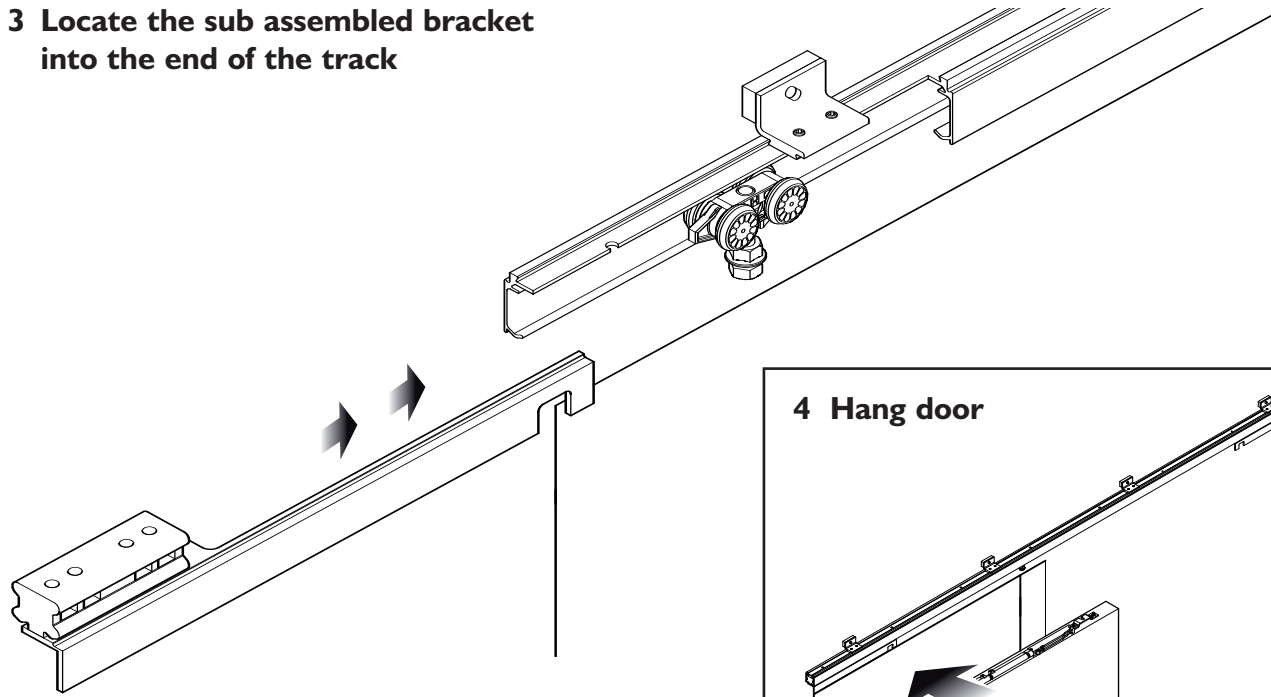


2 Sub assemble the bracket and block with the fixings supplied

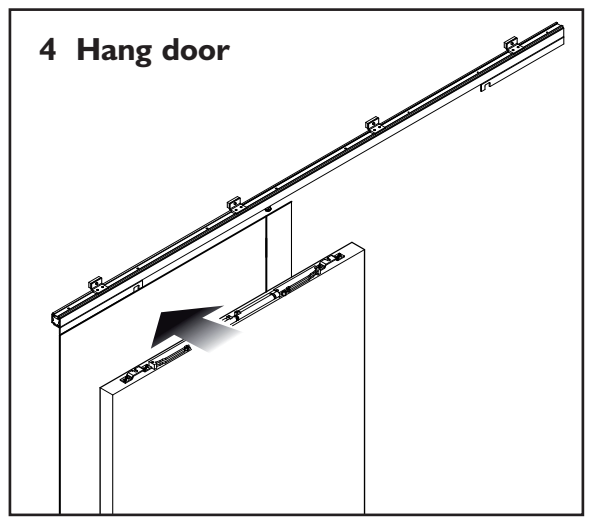
Leave fixings loose within the assembly until the position within the track is final



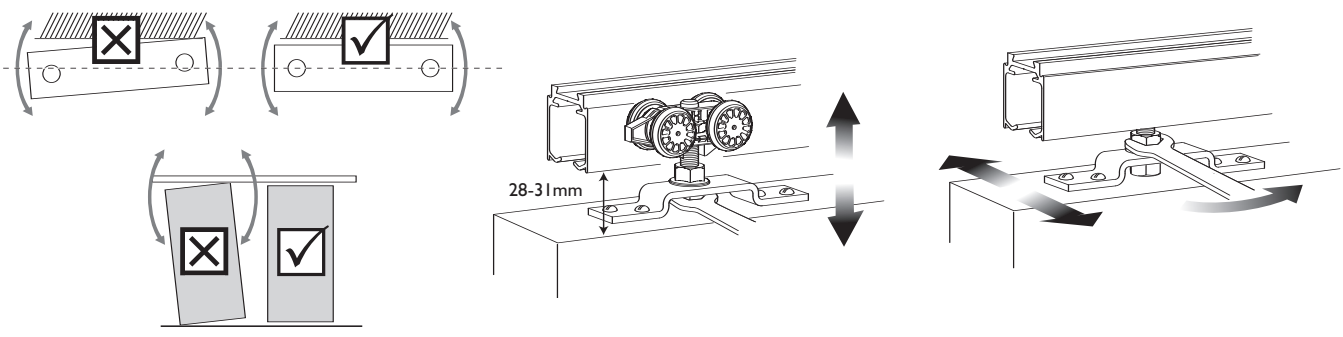
3 Locate the sub assembled bracket into the end of the track



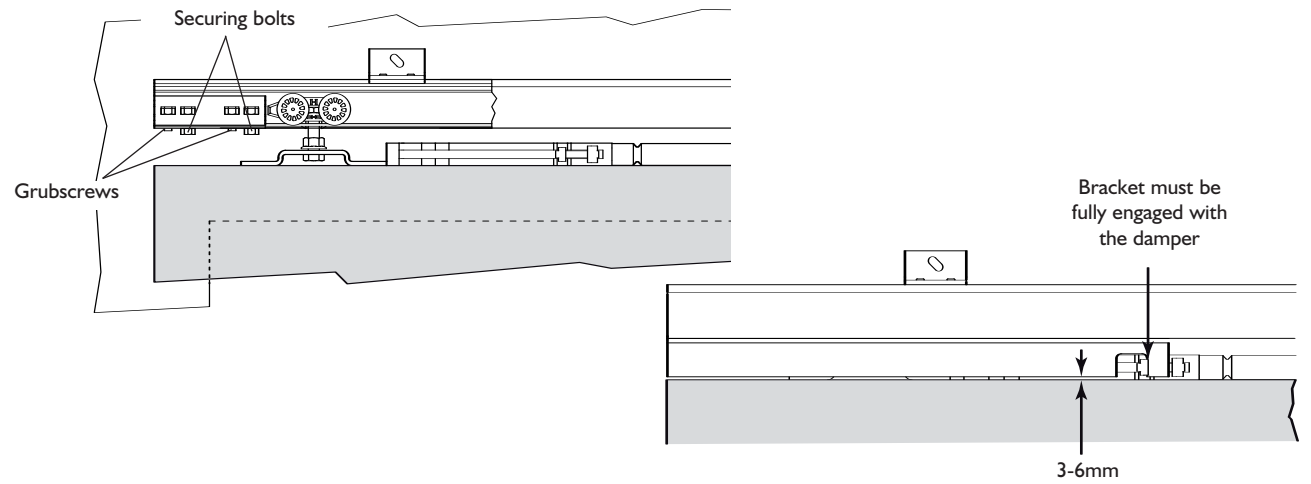
4 Hang door



5 Ensure the door runs straight and inline with the track



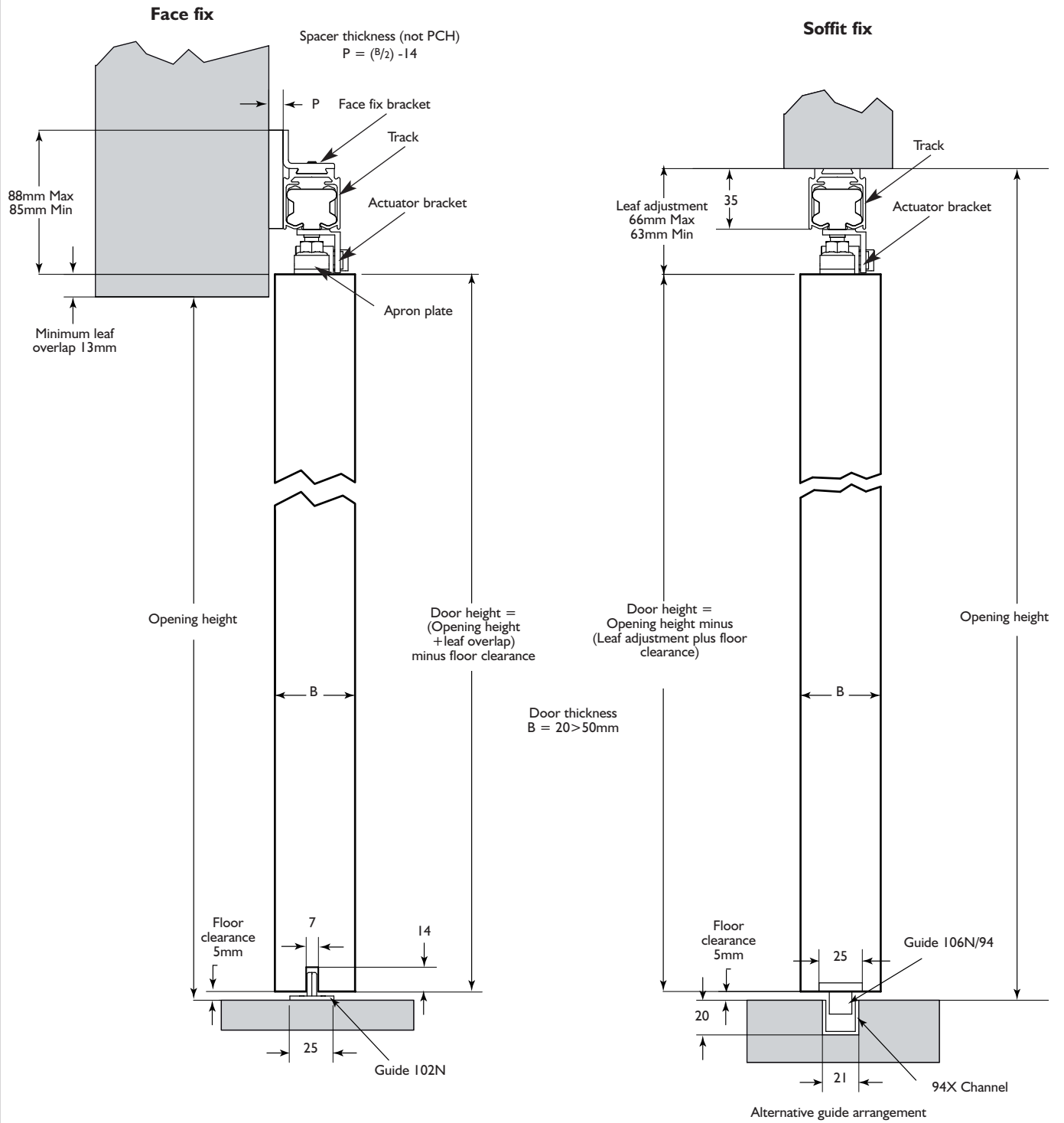
6 Once positioned, secure the soft stop block to the track by tightening the grub screws. Secure the bracket to the underside of the track by tightening the bolts



7 Ensure sufficient engagement with damper. Adjust height at apron plate to suit drop

PLEASE NOTE:

Single damper installation; Minimum door width = 726mm
 Double damper installation; Minimum door width = 1020mm
 Double damper not available on pocket door



REFER TO HUSKY INSTRUCTIONS FOR GENERAL TRACK INSTALLATION DETAILS

(All dimensions in mm)