

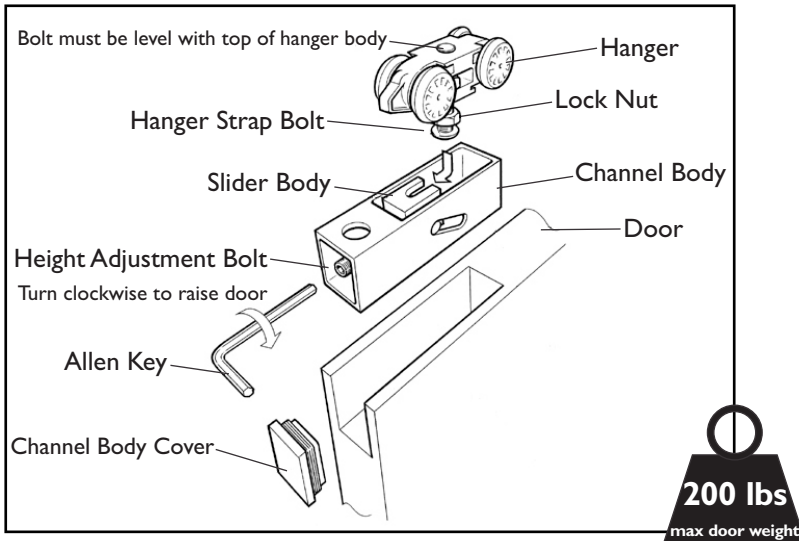
# LP200 Series Sliding Door Hardware Installation Instructions

800-824-3018 • www.pemko.com

## Door Leaf Capacity - Up to 200 lbs.

Manufactured by

# HENDERSON



### LP200A Kits Include:

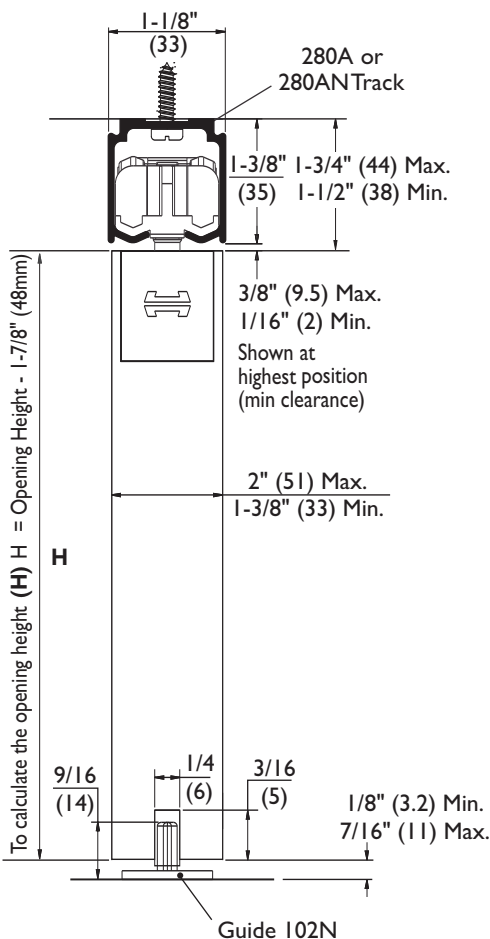
- 1 ea 280AN Aluminum Track
- 1 ea LH100 Hardware Kit

### LH100 Hardware Kits Include:

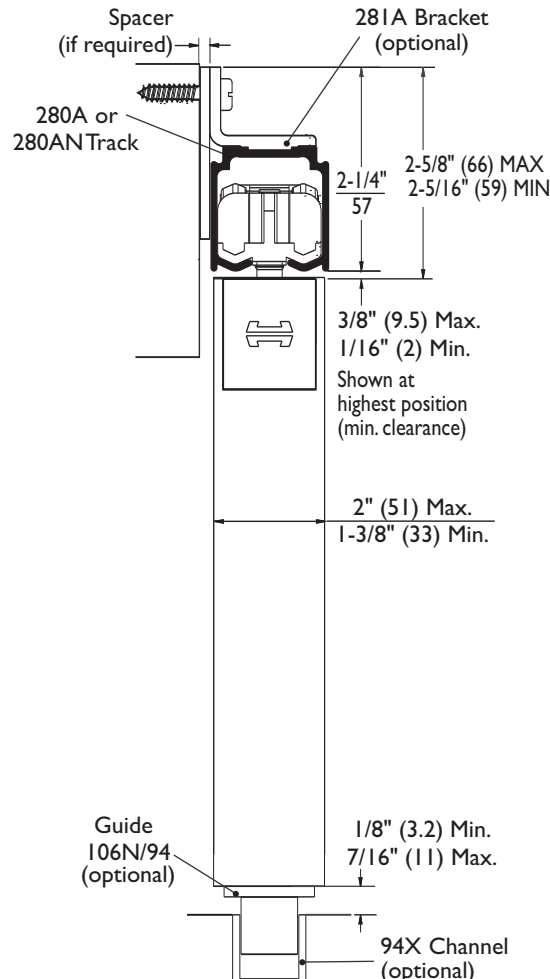
- 2 ea Low Head Room Units
- 2 ea End Caps
- 2 ea In-Track Clip Stops
- 1 ea Screw Pack
- 2 ea Low Head Room Hangers
- 1 ea 102N White Nylon Mortise Guide
- 1 ea Small Spanner
- 1 ea 4mm Allen Key

Kit No.	Material	Max Leaf Size
LP200A/6	aluminum track / 6'	96" x 36" x 2"
LP200A/8	aluminum track / 8'	96" x 48" x 2"
LP200A/10	aluminum track / 10'	96" x 60" x 2"

### Overhead Mount

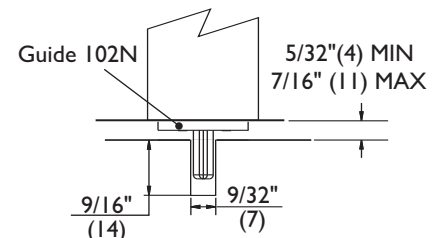


### Side Wall Mount



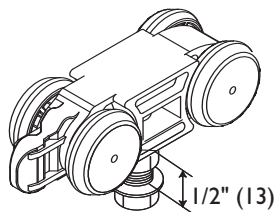
### Alternative Guide Arrangement

Requires an additional 102N guide.  
Not supplied in kit.



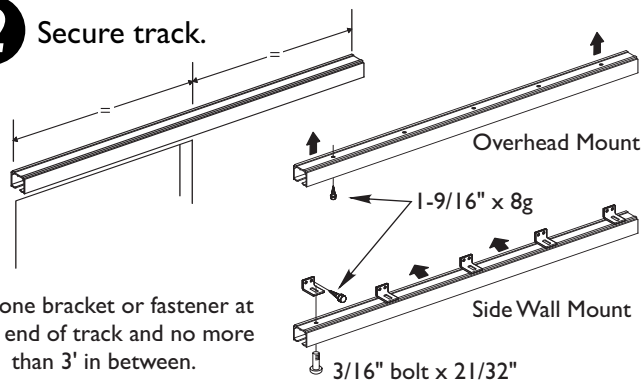
# INSTALLATION INSTRUCTIONS

## 1 Assemble hanger.



Place nut inside hanger body. Thread locking nut onto bolt and then screw bolt into the nut within hanger. Leave a 1/2" clearance between the base of the hanger and bolt head, as shown.

## 2 Secure track.

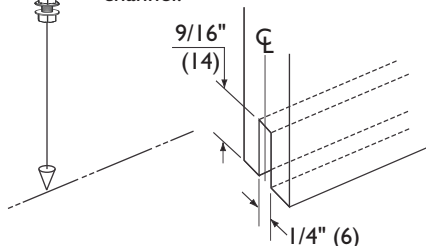


Use one bracket or fastener at each end of track and no more than 3' in between.

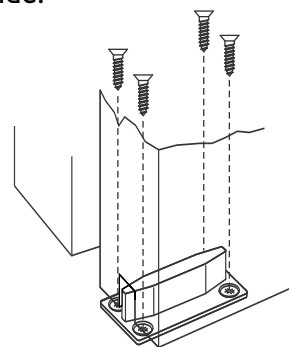
## 3 Mortise door for door guide.



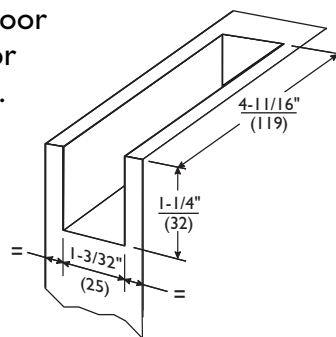
Attach a plumb line to hanger. Place hanger inside track. Using plumb line, mark the centerline of floor channel.



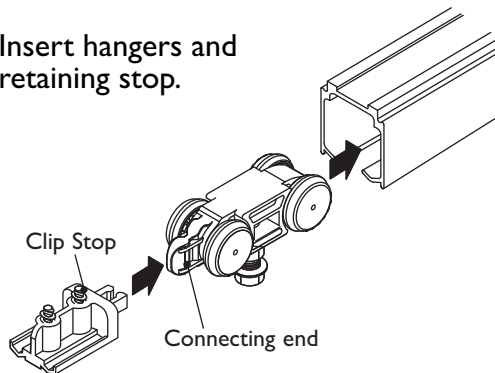
## 4 Fit door guide.



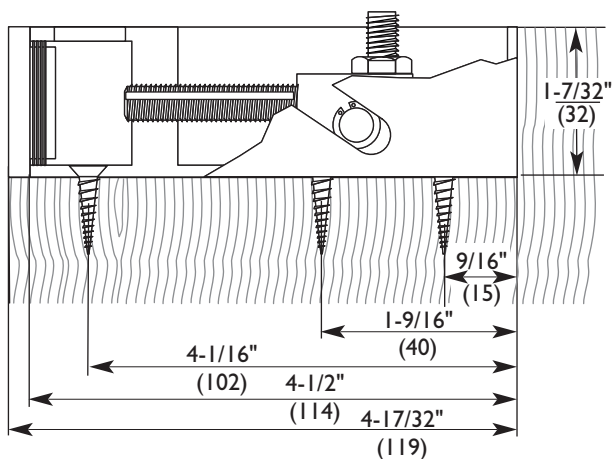
## 5 Route top of door at both ends for channel bodies.



## 6 Insert hangers and retaining stop.



## 7 Fix both channel bodies into door.



## 8 Position and adjust door height.

