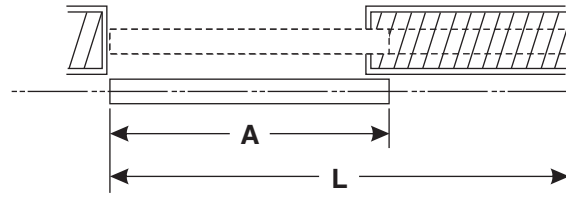
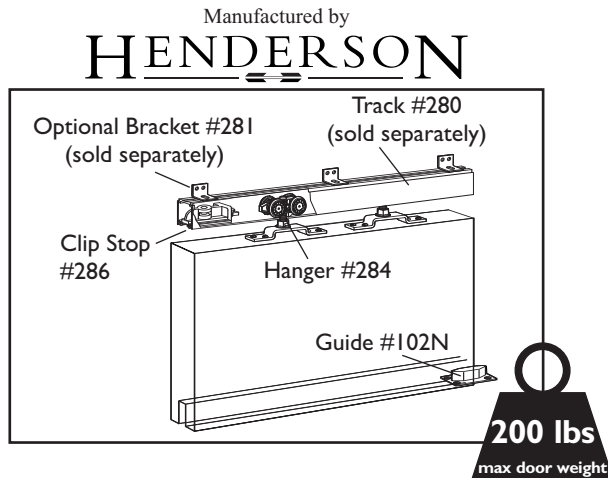


Sliding 100/200 Series Installation Instructions

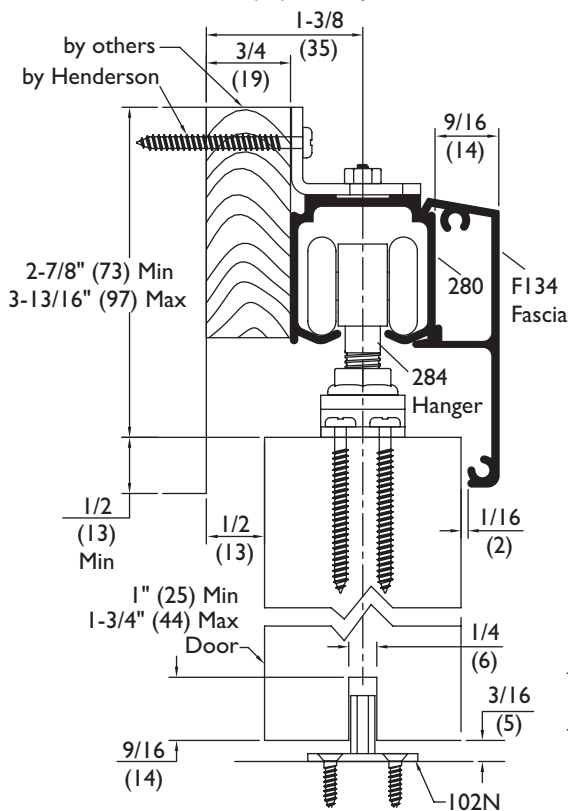
800-824-3018 • www.pemko.com

Door Leaf Capacity - Up to 200 lbs.

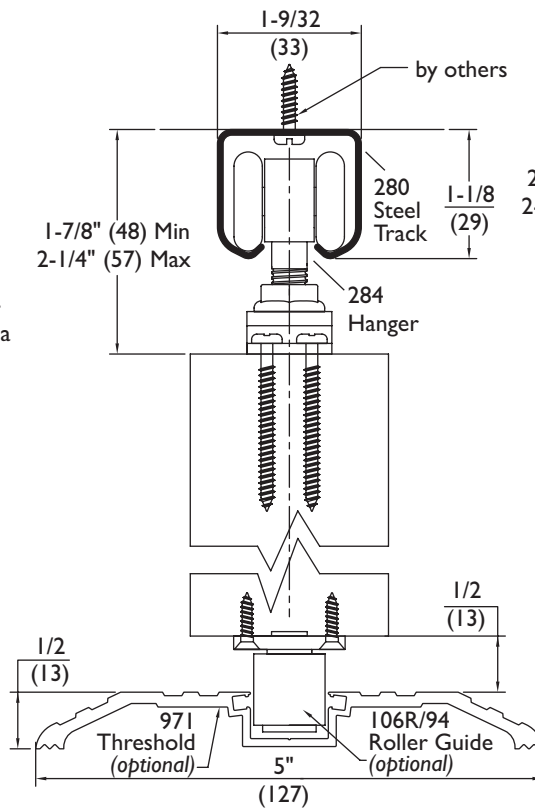


(A) Max. Door Width	(L) Run
36"	72"
48"	96"

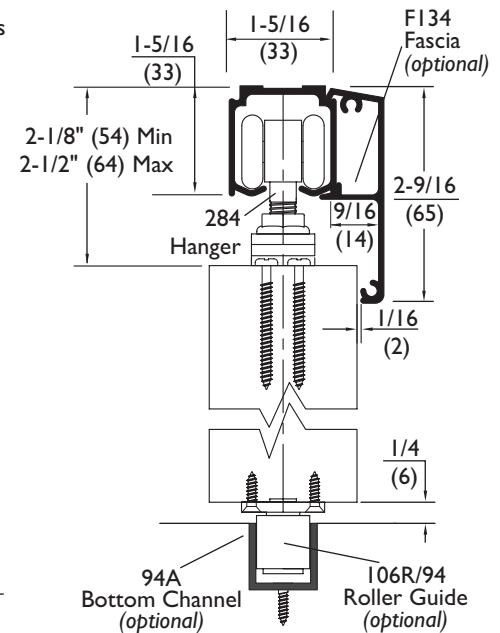
280A Side Wall Mounted 3/4" (19) shim by others



280 Overhead Mounted



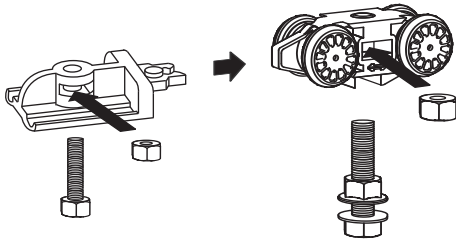
280A Soffit Mounted with Fascia



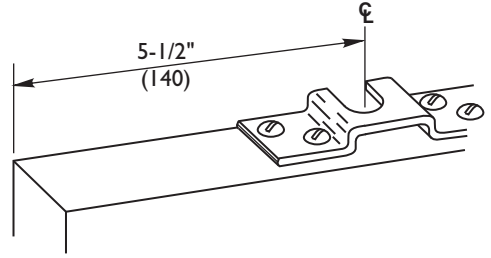
Kit No.	Material	Max Leaf Size
H100/200/6	steel track / 6'	96" x 36" x 2"
H100/200/8	steel track / 8'	96" x 48" x 2"
H100A/200A/6	aluminum track / 6'	96" x 36" x 2"
H100A/200A/8	aluminum track / 8'	96" x 48" x 2"

INSTALLATION INSTRUCTIONS

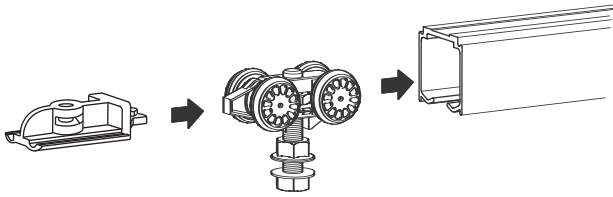
1 Assemble hanger and retaining stop.



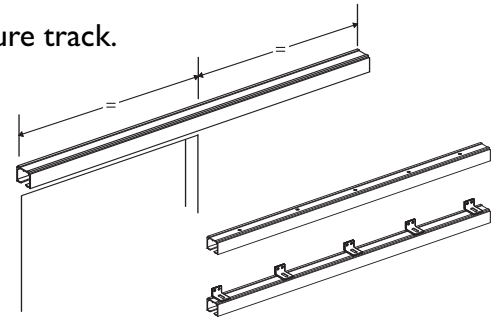
2 Fit hanger apron to door panel.



3 Insert hangers and retaining stop.

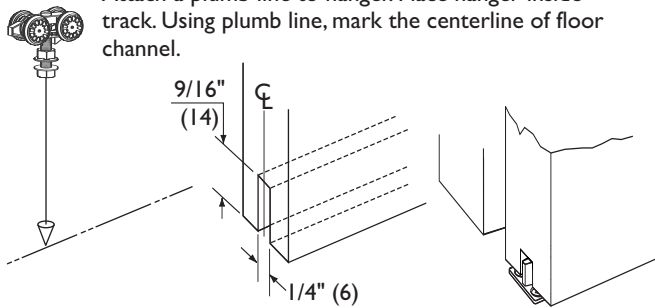


4 Secure track.



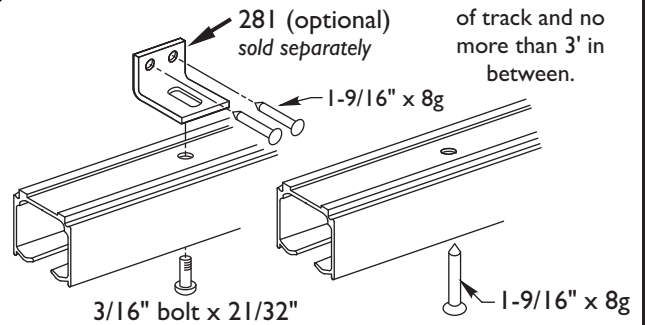
5 Mortise door and fit door guide.

Attach a plumb line to hanger. Place hanger inside track. Using plumb line, mark the centerline of floor channel.

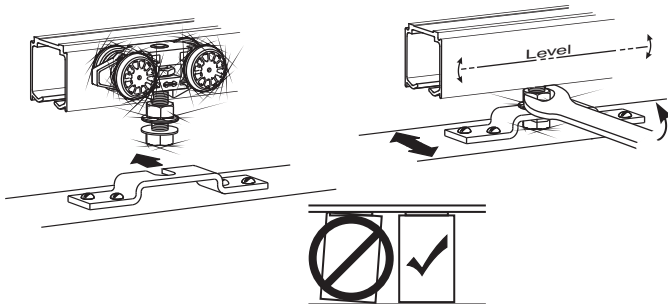


6 Face & Soffit Fix Options

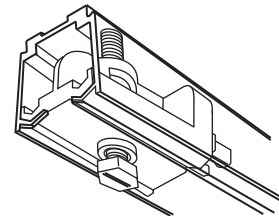
Use one bracket or fastener at each end of track and no more than 3' in between.



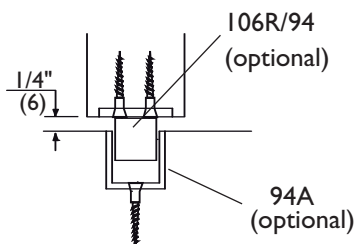
7 Attach door panel and adjust until level.



8 Position and secure retaining stop.

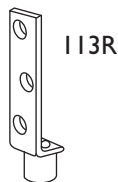


9 Alternative guides.



Alternative stops.

all sold separately



601H Retaining Stop (optional)

