

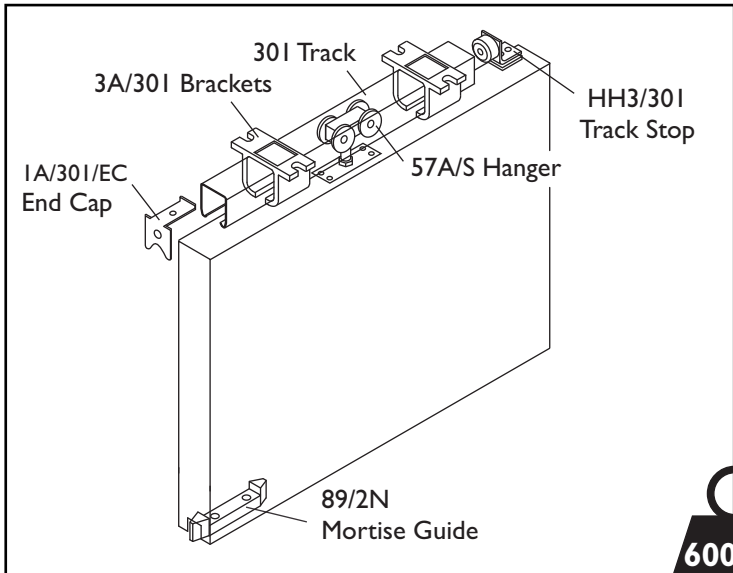
H600S-OH Series Sliding Door Hardware Installation Instructions

800-824-3018 • www.pemko.com

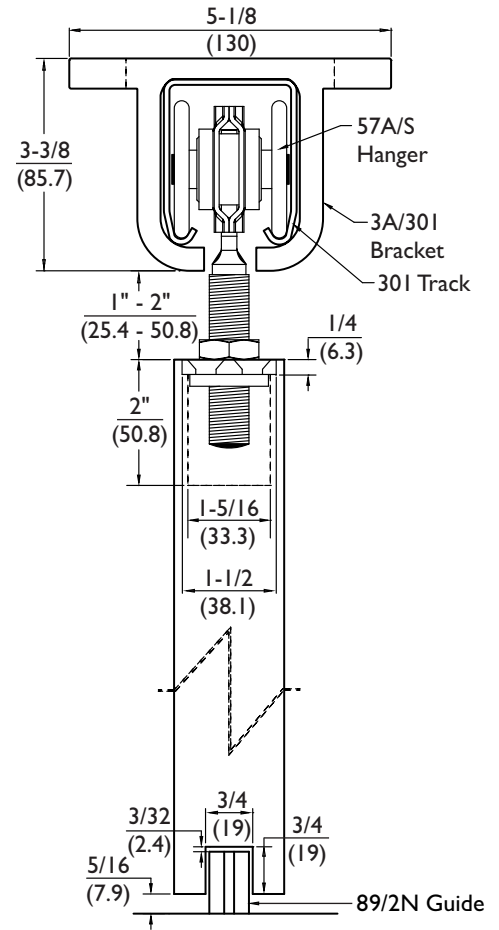
Door Leaf Capacity - Up to 600 lbs.

Manufactured by

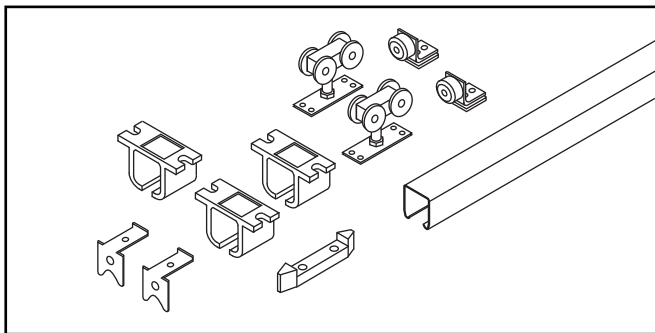
HENDERSON



Overhead Mount



Part Number	Material	Track Length	Door Width
H600S-OH/6	Steel	72"	36"
H600S-OH/8	Steel	96"	48"
H600S-OH/10	Steel	120"	60"
H600S-OH/12	Steel	144"	72"



H600S-OH Kits Include:

- 1 ea 301 Galvanized Steel Track
- 3A/301 Aluminum Alloy Overhead Mount Track Brackets
(One at each end and no than three feet in between)
- 2 ea 1A/301/EC Aluminum Alloy End Caps
- 2 ea 57A/S Zinc Coated Steel Body, Wheels, and Pendant Bolt Hangers
- 2 ea HH3/301 Galvanized Steel In-Track Stops
- 1 ea 89/2N Gray Nylon Mortise Guide

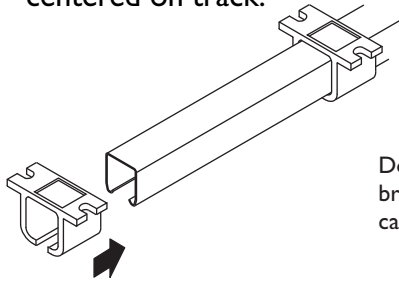
IMPORTANT:

Visually check all bolts and screws; tighten if necessary.
If access door is installed, check operation.
Check operation of doors for ease.

- Door catches floor guide: Check that the track is level. Ensure that the track and floor guide are parallel to within +/- 1/8" (3).
- Door scrubs: Check that the door is level on hangers.
- Door moves while in operation: Check hangers are installed correctly.

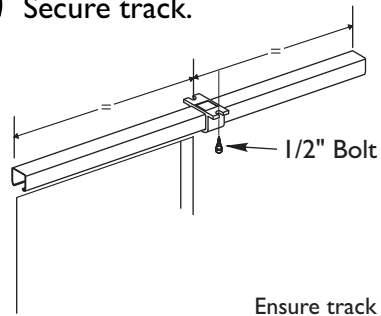
INSTALLATION INSTRUCTIONS

- 1** Slide brackets onto track. Inward brackets should be 2' (61m) from each end and centered on track.



Do not install end brackets with end caps at this time.

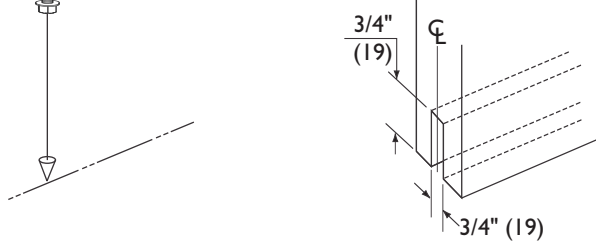
- 2** Secure track.



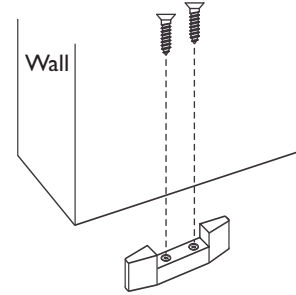
Ensure track is plumb and level.

- 3** Mortise door for door guide.

Attach a plumb line to hanger. Remove one end bracket. Place hanger inside track. Using plumb line, mark the centerline of door guide.

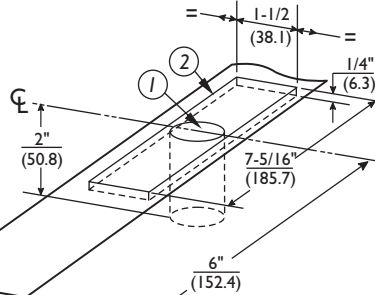


- 4** Fit door guide.



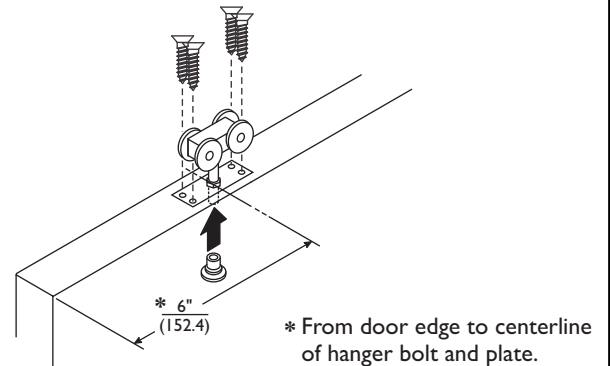
- 5** Prepare top of door for hanger hardware.

- ① Drill 1-5/16" (38.3) dia. x 2" (50.8) deep hole 6" (152.4) from door edge to centerline of hole and centered in thickness of door.

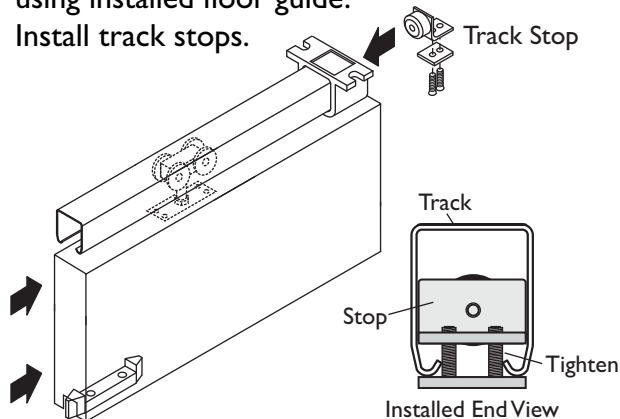


- ② Route door for 1/4" (6.4) thick, 7-5/16" (185.7) long, & 1-1/2" (38.1) wide plate centered on center line of hole and thickness of door.

- 6** Attach hangers to doors.



- 7** Slowly guide complete door unit into track using installed floor guide. Install track stops.



- 8** Replace end brackets onto ends of track with end caps in position. Check for smooth operation. Adjust and tighten stops.

