

PEMKO

The global leader in door opening solutions

Door Leaf Capacity - Up to 200 lbs

H200PACK Kit Includes:

2 ea - H222R1 Hangers

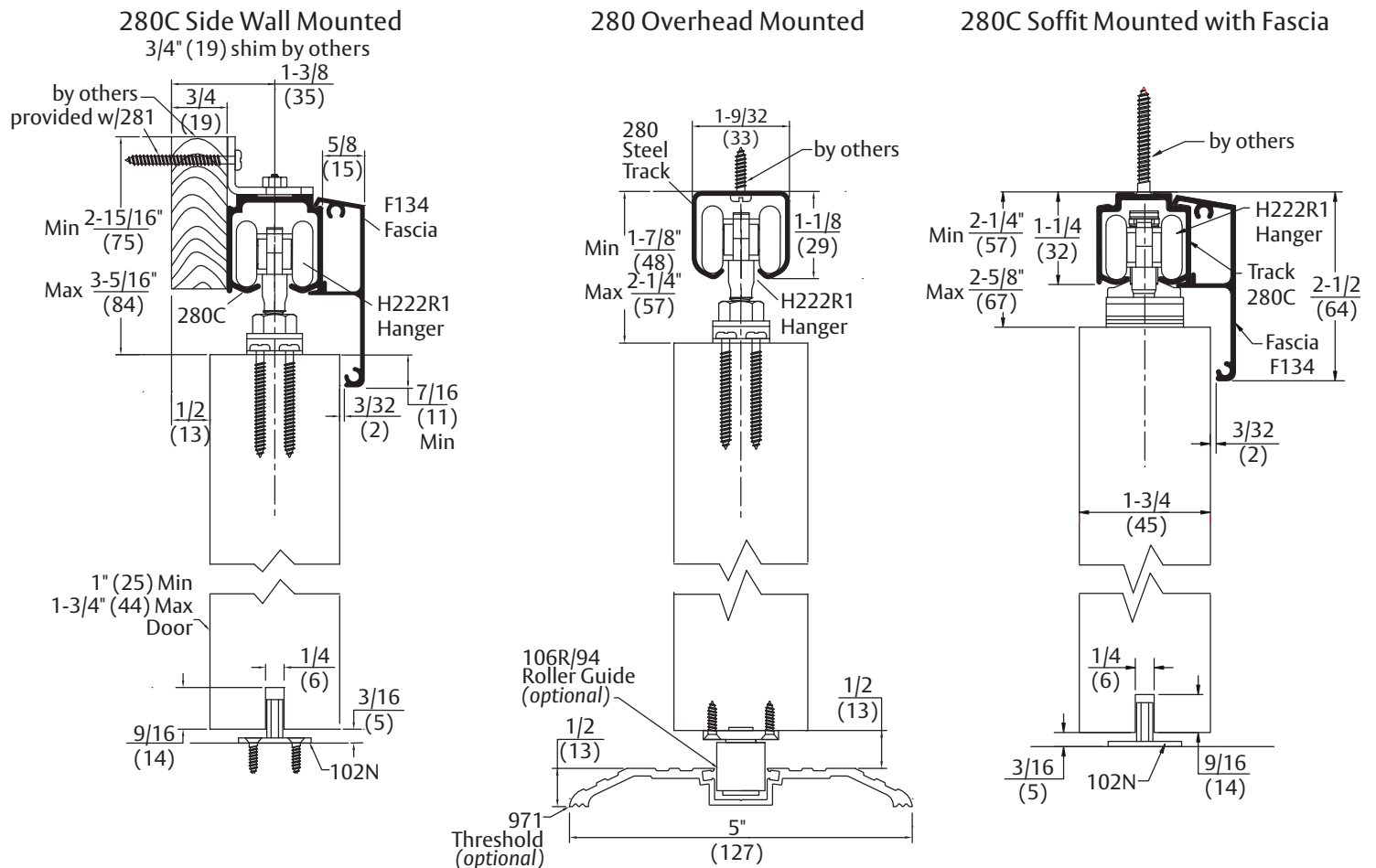
2 ea - TELS-14 In Track Stops

1 ea - 102N Mortised Guide

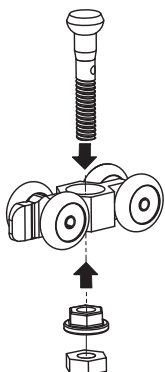
1 ea - Adjusting Wrench

Track sold separately.

Bracket, Fascia, Roller Guide, and Threshold shown are optional and sold separately.

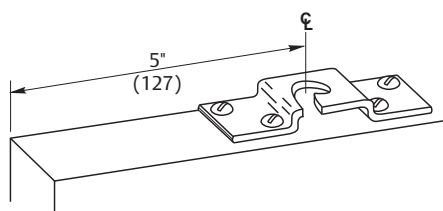


1. Assemble hanger.



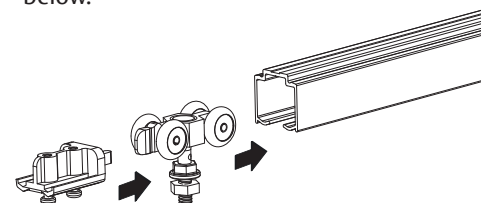
2. Fit hanger apron to door panel.

Drill 1/2" (13) dia x 1 1/2" (38) deep hole 5" (127) from door edge to centerline and centered in the door thickness.



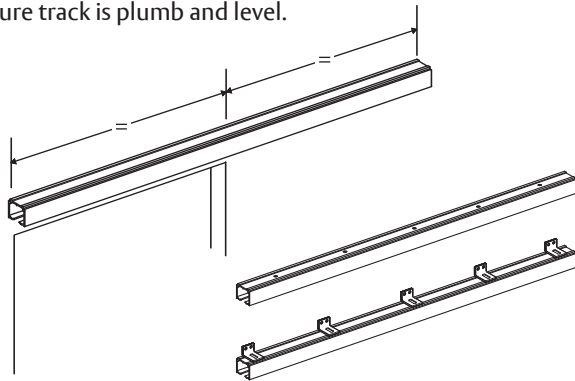
3. Insert hangers and retaining stop.

Ensure that hanger flange is pointing in the direction of clip portion of stop as shown below.



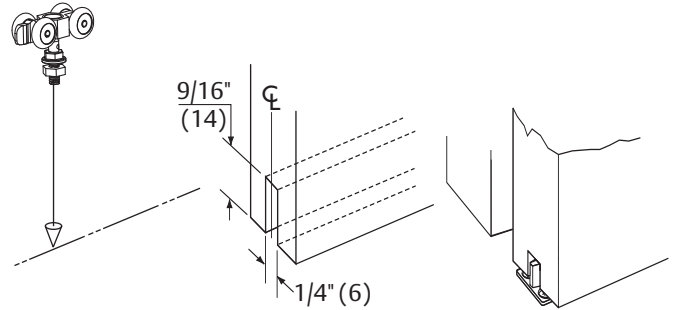
4. Secure track.

Ensure track is plumb and level.



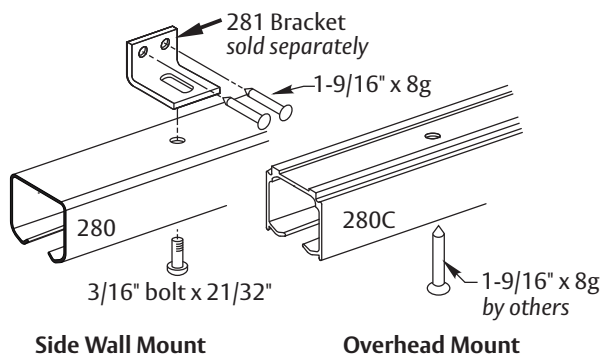
5. Mortise door and fit door guide.

Attach a plumb line to hanger. Place hanger inside track. Using plumb line, mark for position of door guide on the floor.

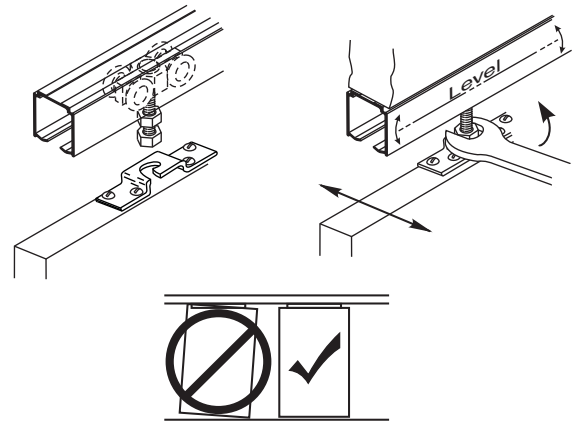


6. Face & Soffit Fix Options.

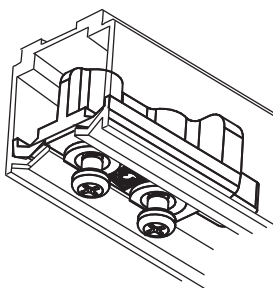
Use one bracket or fastener at each end of track and no more than 3' in between.



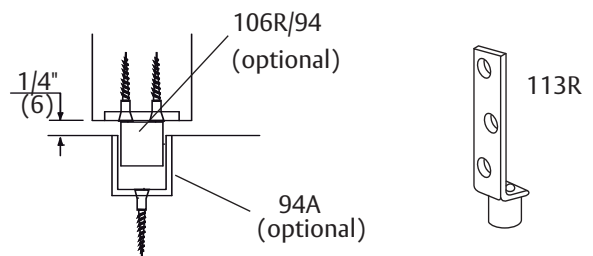
7. Attach door panel and adjust until level.



8. Position and secure retaining stop.



Alternative guides. (Sold Separately)



www.pemko.com

USA:
Pemko Manufacturing Company
Ventura, CA 93003
Phone: 800.283.9988

Pemko Manufacturing Company
Memphis, TN 38141
Phone: 800.824.3018

Canada:
Pemko Canada, Ltd.
Vancouver, BC V2T6W3
Phone: 877.535.7888

Pemko Canada, Ltd.
Toronto, ON L4K4T9
Phone: 877.535.7888