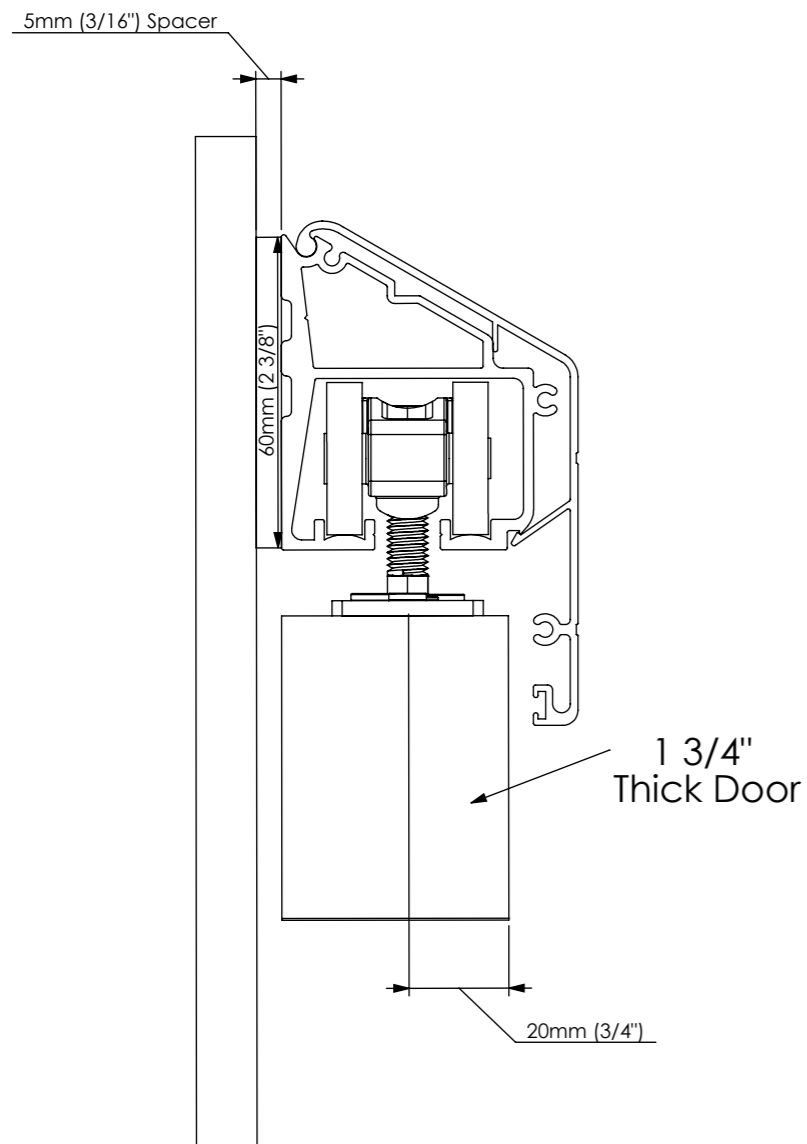


SURFACE SLIDING WALL MOUNT TRACK

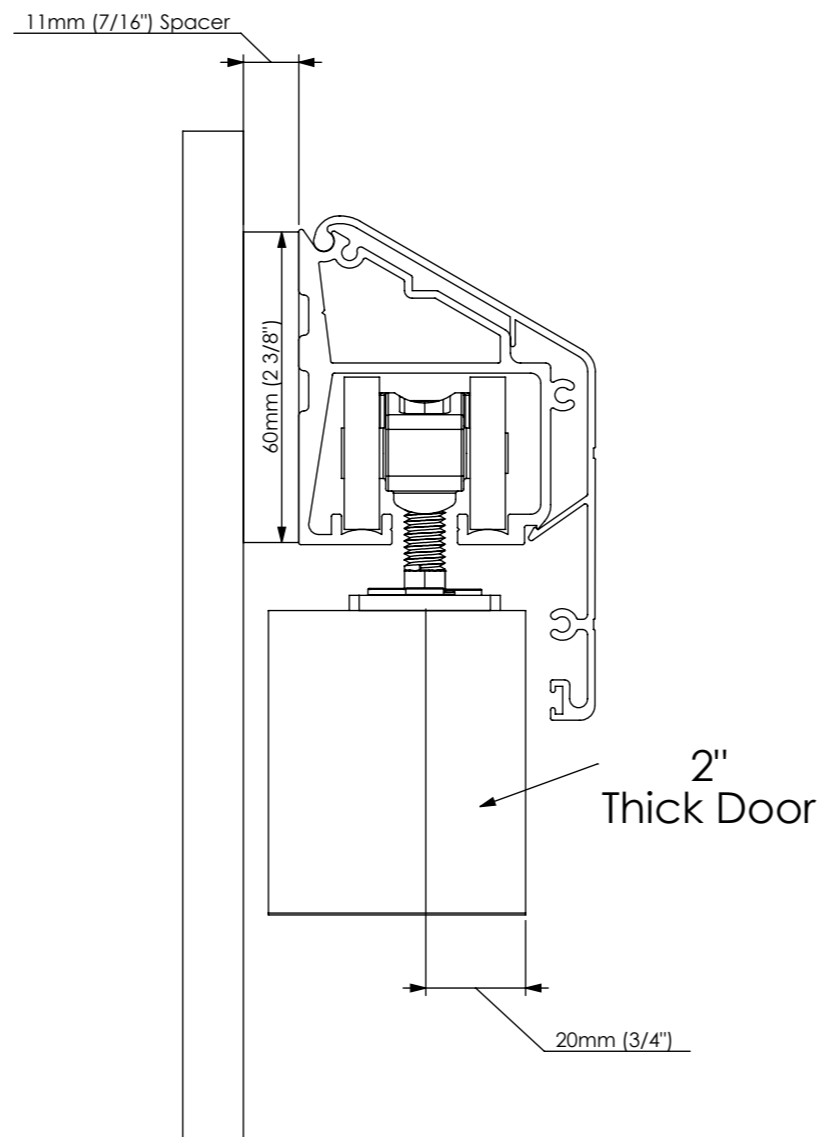
1 3/4" Thick Door

- 5mm (3/16") Spacer
- Carriage Off-Set 20mm (3/4")



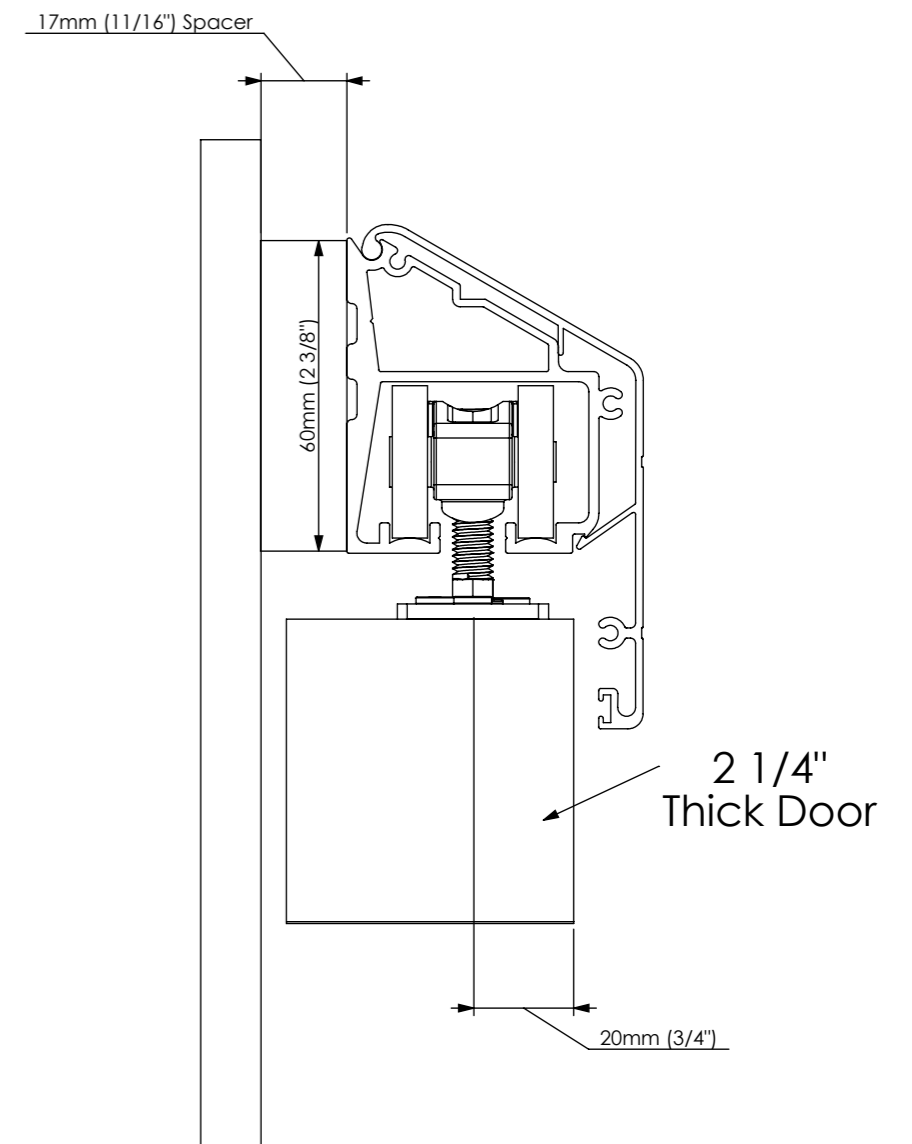
2" Thick Door

- 11mm (7/16") Spacer
- Carriage Off-Set 20mm (3/4")



2 1/4" Thick Door

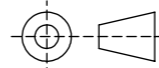
- 17mm (11/16") Spacer
- Carriage Off-Set 20mm (3/4")




COMMENTS: Project:	MATERIAL:	DESIGNED	INITIALS	DATE
	MASS: g	DRAWN		
VENDOR NAME:	FINISH:	CHECKED		
VENDOR NUMBER:	FILE NAME:	APPROVED		
		MANUFACTURED		

Unless Otherwise Specified
DIMENSIONS are in mm

TOLERANCES
 1 DECIMAL ±0.1
 2 DECIMAL ±0.05
 DECIMAL ±1
 ANGLE ±0.5°
 RAD/CHAM ±0.5



SCALE: 1:2 SIZE: A3



5-7 Rakino Way, Mt Wellington, Auckland, NZ
 Phone: +64 9 276 0800
 Fax: +64 9 276 2525
 Website: www.csfordoors.co.nz

TITLE:		REVISION:
DRAWING NUMBER:	CS PART NUMBER:	SHEET: 1 of 1
THE INFORMATION CONTAINED IN THIS DRAWING IS THE SOLE PROPERTY OF CS FOR DOORS. ANY REPRODUCTION, DISCLOSURE OR USE OF THIS DOCUMENT, WITHOUT THE WRITTEN PERMISSION OF CS FOR DOORS IS STRICTLY PROHIBITED.		