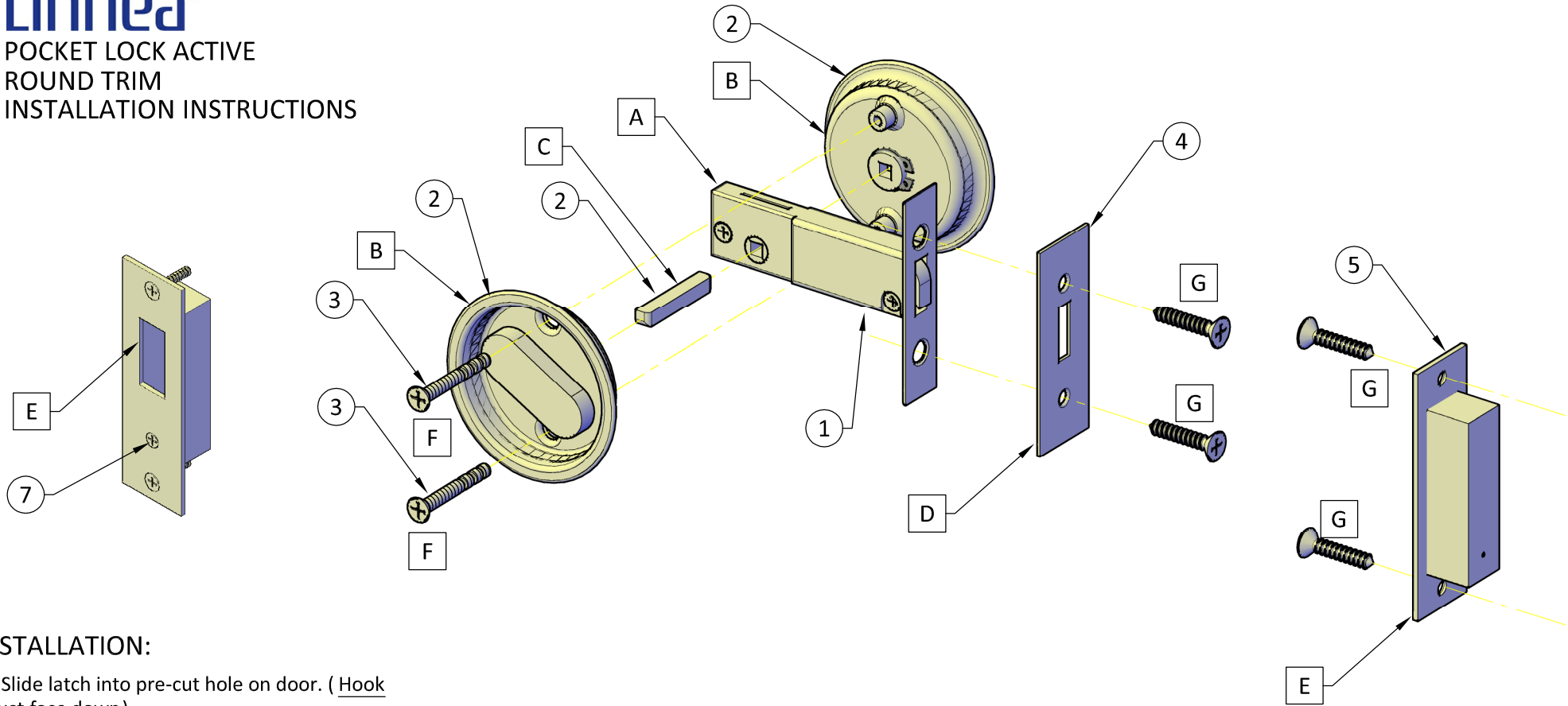


**Linnea™**  
**POCKET LOCK ACTIVE**  
**ROUND TRIM**  
**INSTALLATION INSTRUCTIONS**



**INSTALLATION:**

1. Slide latch into pre-cut hole on door. (Hook must face down).
2. Slide spindle through latch and attach both trim plates on each side of door.
3. Screw trim plates into place using (2) F screws (trim plate with turn piece must be on the inside).
4. Attach face plate on latch using G screws.
5. Place strike plate into door jam opposite face plate.
6. Screw strike plate in place using G screws.
7. Use screw in location shown to adjust internal depth of latch.

ITEM	PART NO.	DESCRIPTION
A	latch	latch set 60mm back set
B	trim plates	trim plates for 2 1/8" bore
C	spindle	5mm x 35mm spindle
D	face plate	face plate for latch 25mm x 70mm
E	strike plate / dust box	strike plate with built in dust box
F	M4 screw	4mm screws 35mm long
G	#4 screw	#4 wood screws